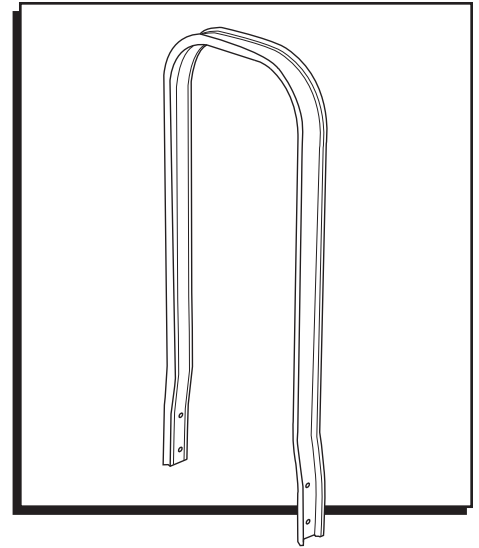


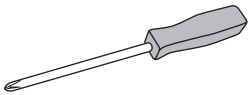
ULINE H-3377

60" FRAME EXTENSION FOR MAGLINER® ALUMINUM HAND TRUCKS

1-800-295-5510
uline.com



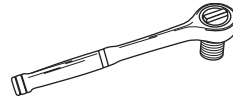
TOOLS NEEDED



#3 Phillips Screwdriver



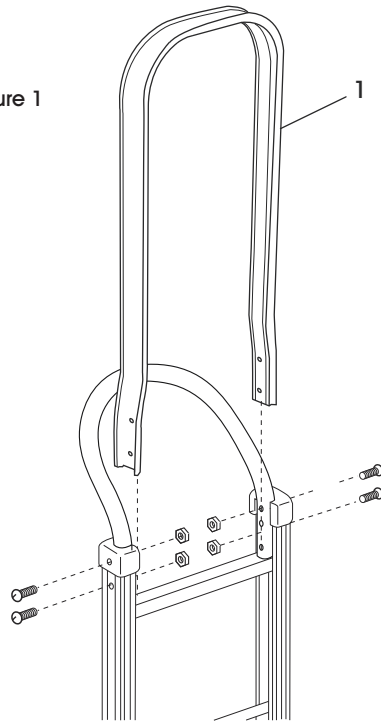
7/16" Combination Wrench



Socket Wrench

PARTS

Figure 1



REF.	QTY.	DESCRIPTION
1	1	Frame Extension

Bolts and locknuts required for assembly are included with hand truck hardware.

ASSEMBLY

1. Remove two 1/4" – pan head bolts and two 1/4" – locknuts from either side of the handle, leaving the handle in place. (See Figure 1)
2. Place the legs of frame extension between the handle so the bottom of the legs rest on the top cross brace of the frame.
3. Make sure the holes in the frame extension line up with the holes in the handle and frame side rails. (See Figure 1)
4. Replace the 1/4" – pan head bolts and 1/4" – locknuts. Tighten locknuts. (See Figure 1)