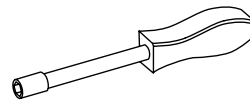


ULINE H-1871, H-3617
**JUMBO HEAVY DUTY
STORAGE CABINET**

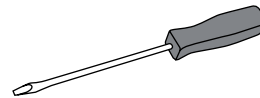
1-800-295-5510
uline.com



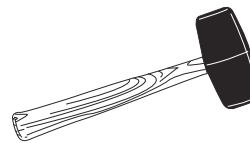
TOOLS NEEDED



1 1/32" Nut Driver
(included)



Flathead Screwdriver

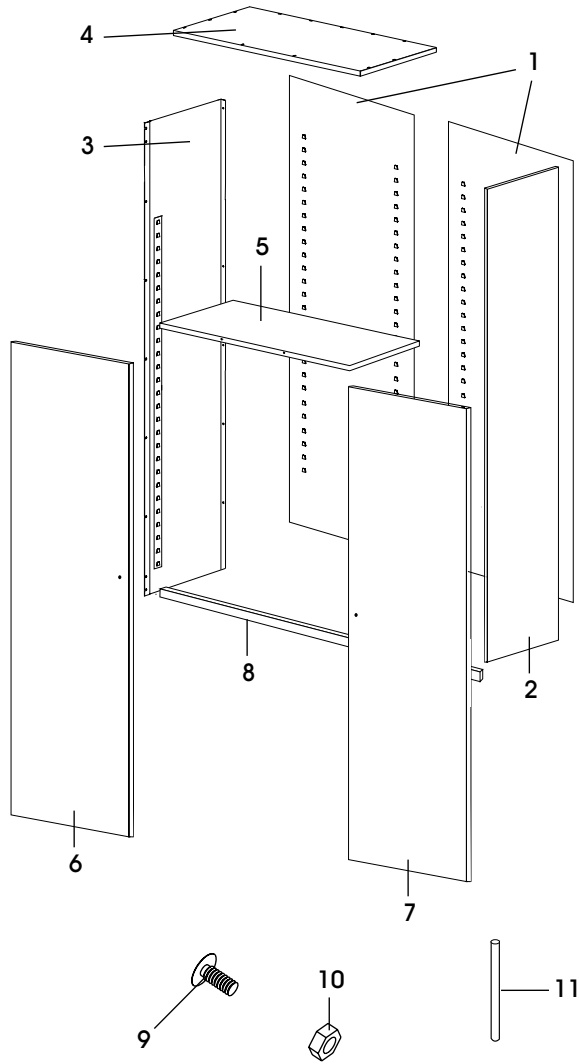


Rubber Mallet



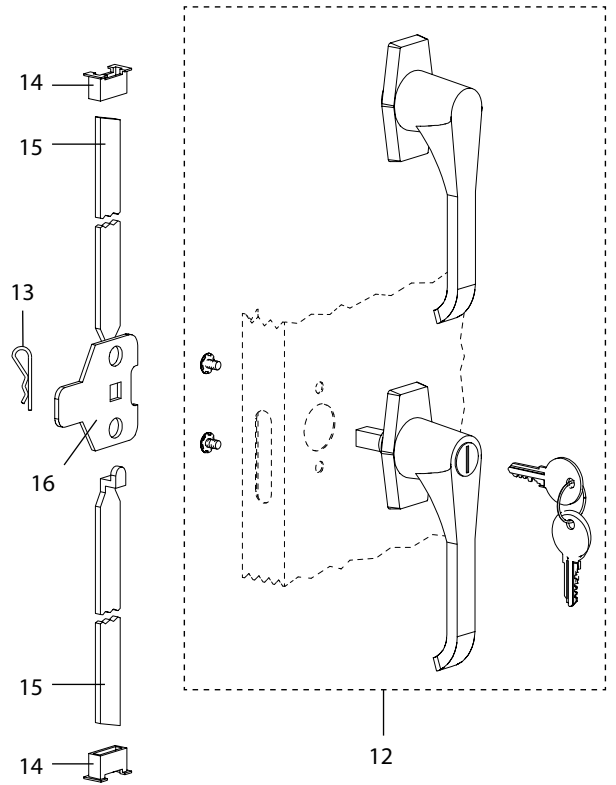
CAUTION! Some parts may have sharp edges. Take care when handling various pieces to avoid injury. For your safety, wear work gloves when assembling.

PARTS



PRIMARY ASSEMBLY

#	DESCRIPTION	QTY.
1	Back Panel	2
2	Right Side Panel	1
3	Left Side Panel	1
4	Top	1
5	Shelf	5
6	Left Door	1
7	Right Door	1
8	Sill	1
9	Bolts (#8-32 x 3/8")	25
10	Nuts (#8-32)	35
11	Hinge Pin	8



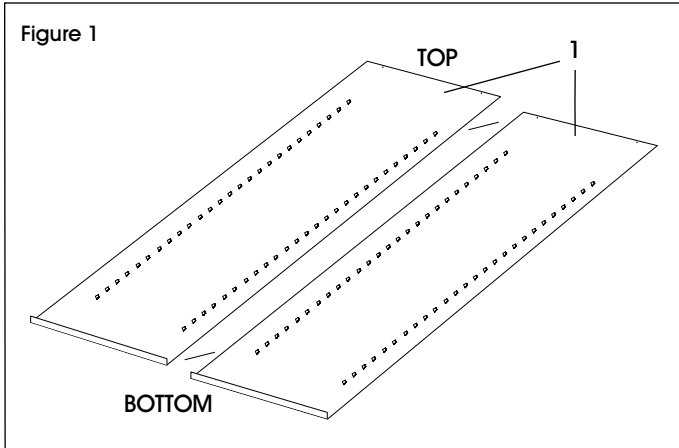
HANDLE ASSEMBLY


#	DESCRIPTION	QTY.
12	Locking Handle with Keys and Dummy Handle (Set)	1
13	Cotter Pin	1
14	Lock Bar Guide	2
15	Lock Bar (Set)	1
16	Locking Cam	1

ASSEMBLY INSTRUCTIONS

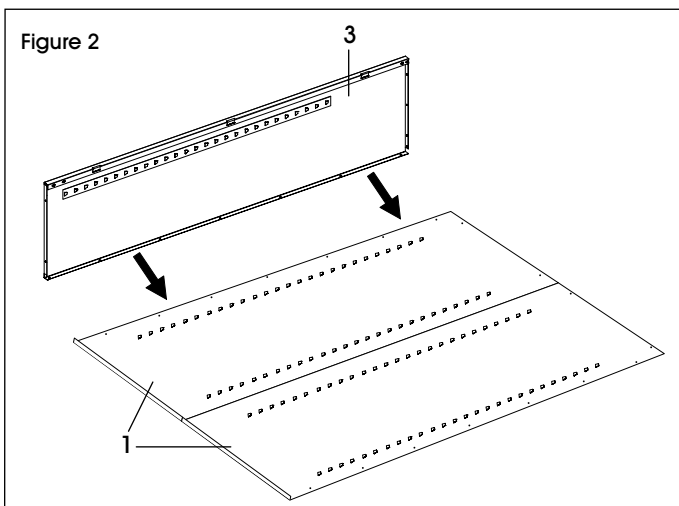
ASSEMBLING CABINET

1. Place the back (1) on a protected surface. The bottom flange should be facing upward. Bolt panels together using 7 bolts and nuts. (Nuts on the inside of the unit.) (See Figure 1)

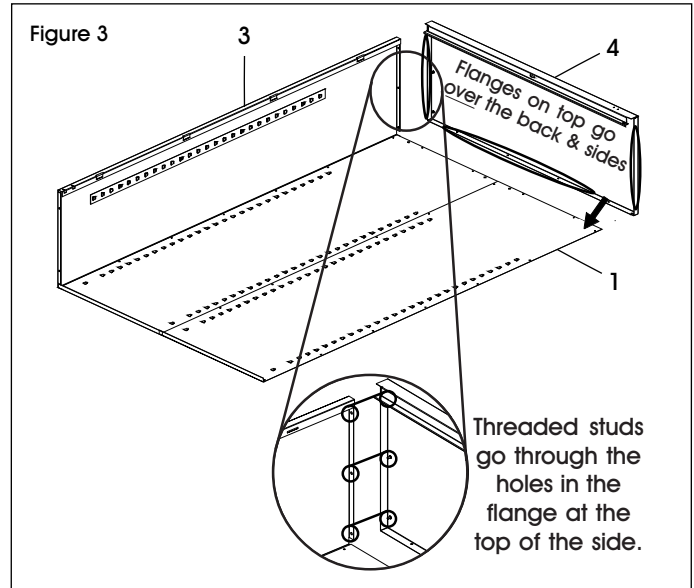


 **NOTE:** When bolting the unit together, leave the bolts slightly loose until step 7, unless otherwise specified.

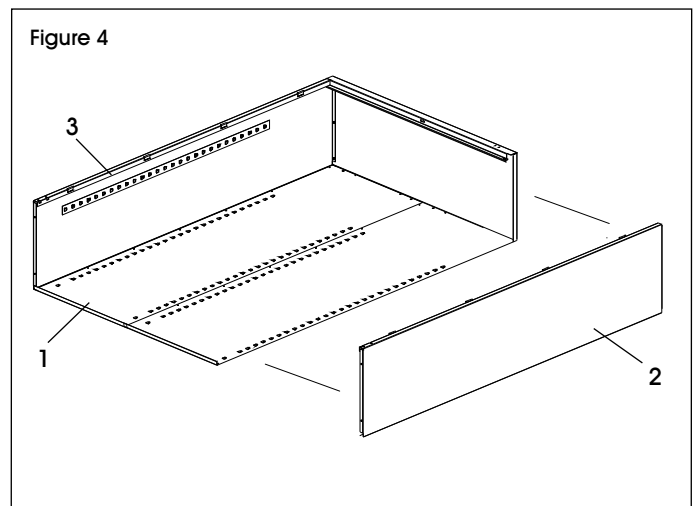
2. Attach the left side (3) to the back by placing flange around the back and bolting the back and sides together. Be sure that the lances on all shelf adjustment strips point in the same direction. (See Figure 2)



3. Attach the top (4) to the unit by sliding the outer flange over the back of the unit and the side flange on the top over the side panel. The threaded studs should go through the holes in the top flange of the side and fasten with 3 nuts. Attach the back to the top using 4 bolts and nuts. (See Figure 3)

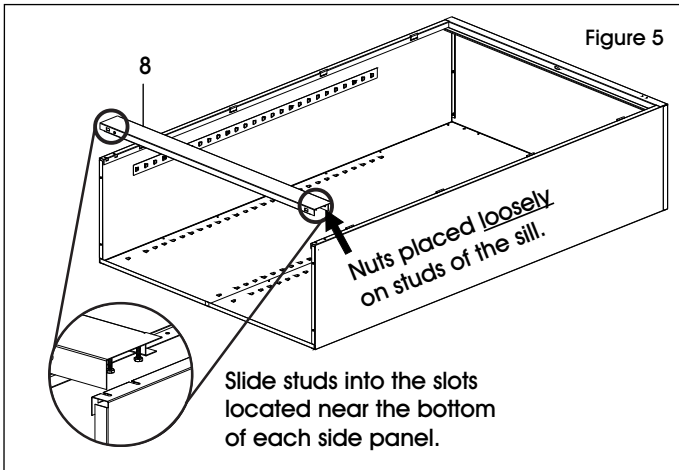


4. Attach right side (2) in the same manner used in Step 2. Make sure the side flange overlaps the back panel and the flange on the top is over the right side. Push the side panel up so the studs in the top go through the holes in the top flange of the side. Fasten with 3 nuts. (See Figure 4)

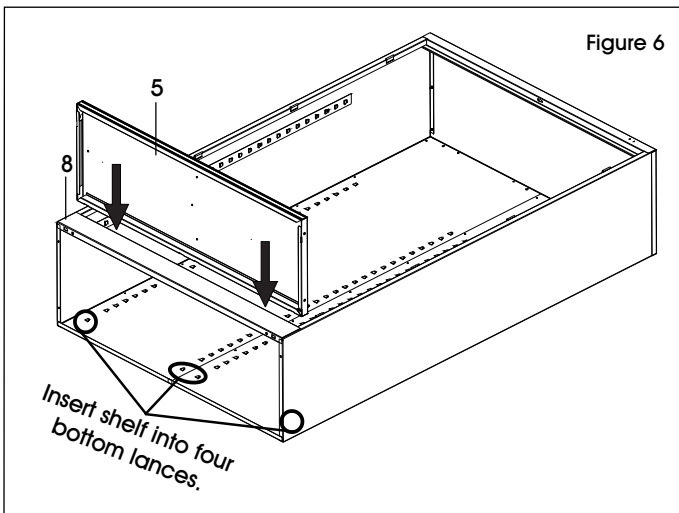


ASSEMBLY CONTINUED

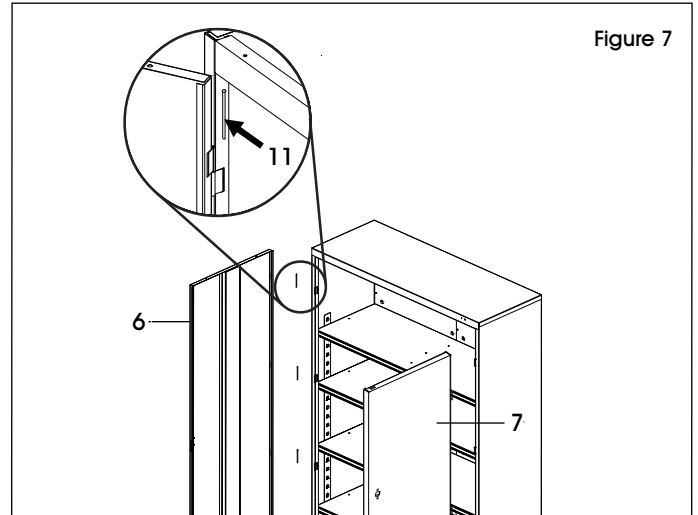
- Attach the sill (8) to the sides. Place nuts loosely on each of the studs and slide the ends of the sill into the slots on both sides of the unit. Then securely tighten with nuts. (See Figure 5)



- Place a shelf (5) into the four lowest lances in the back. The front of the shelf will rest on the sill. (See Figure 6)



- Using two people, set unit upright and tighten all nuts and bolts. Insert the remaining shelves. Be sure the shelf edge with no slots faces the cabinet front. The slots on the other three sides fit over the lances on the cabinet walls, which hold the shelf in place.
- Attach the left door (6) to the unit. Place the door on the hinges, align the holes, and drive the four hinge pins (11) into place. (See Figure 7)

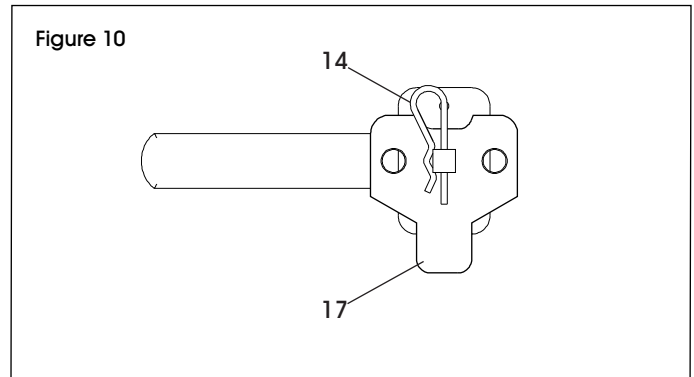
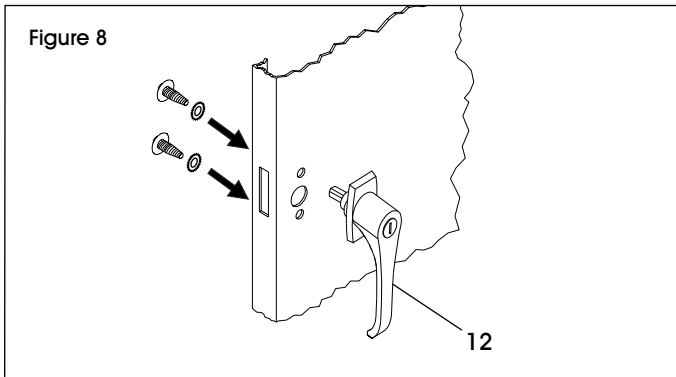


- Repeat Step 8 for the right door (7).
- Adjust the levelers underneath the front of the unit to ensure the cabinet is leveled.

 **NOTE:** The doors will not align properly if the cabinet is not leveled.

SEE NEXT PAGE TO ATTACH HANDLE

ASSEMBLY CONTINUED



ATTACHING HANDLE

1. Place the locking door handle (12) on the right hand door and fasten with two slotted bolts and lock washers. (See Figure 8)
2. Turn the handle to the open position (See Figure 9) and place the locking cam (17) over the square shank of the door handle. Place the cotter pin (14) through the hole of the square shank. (See Figure 10)
3. With the handle still in the open position, hook the lock bars (16) into the locking cam (17). Once in position, slowly rotate the door handle to the closed position so the lock bars protrude from the holes at the top and bottom of the door. (See Figure 11)
4. Slide the nylon lock bar guides (15) over the lock bar (16) ends and through the door slots. Push firmly until the guides snap into place. If necessary, turn the handle back to the open position and gently tap with a hammer until the guides snap into place. (See Figure 12)
5. Attach dummy handle (12) to the left door using two slotted bolts and lock washers.

