

ULINE H-8226

96" PACKING STATION

1-800-295-5510
 uline.com

TOOLS NEEDED



Electric Drill



1/4" Drill Bit



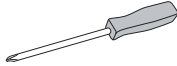
Allen Wrench (included)



8 mm Wrench
 10 mm Wrench
 13 mm Wrench
 17 mm Wrench



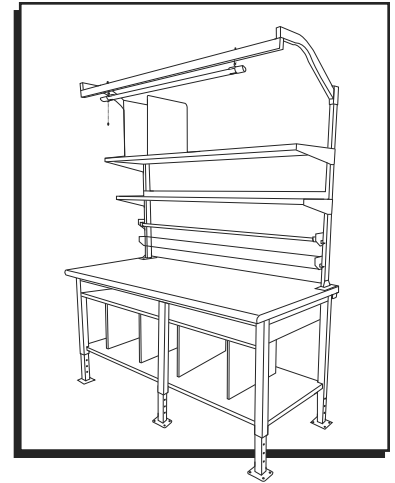
Phillips Head Drill Bit



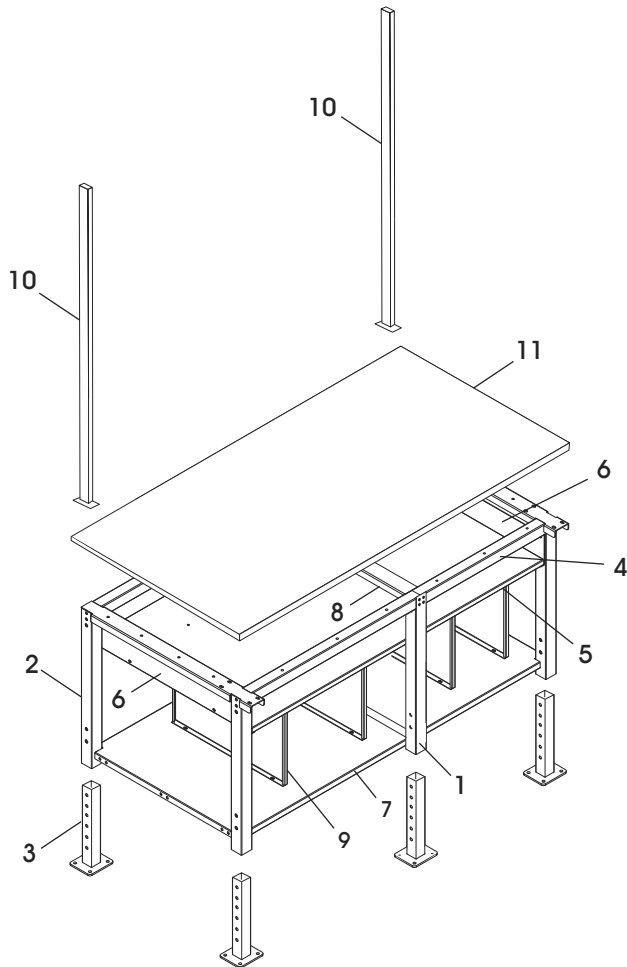
Phillips Screwdriver



Three Person Assembly Required



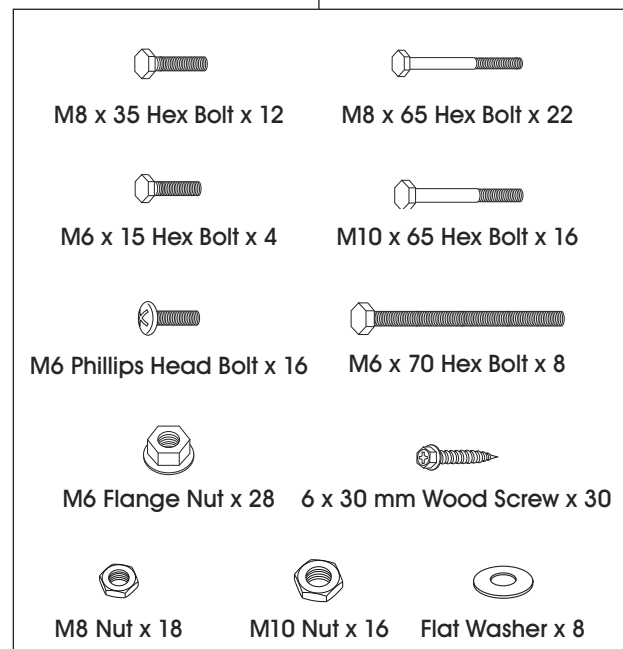
PARTS



PARTS

#	DESCRIPTION	QTY.
1	Center Leg	1
2	Outside Leg	2
3	Adjustable Foot	6
4	Frame Support Bar	4
5	4" High Storage Shelf – 2-Piece	1
6	Storage Shelf Support Bracket	2
7	Full Depth Bottom Shelf – 2-Piece	1
8	Center Leg Support Bar	1
9	Bottom Shelf Divider	4
10	Upright	2
11	Tabletop	1

Hardware Kit



CAUTION! Some parts may have sharp edges. Care must be taken when handling various pieces to avoid injury. For your safety, wear a pair of work gloves when assembling.



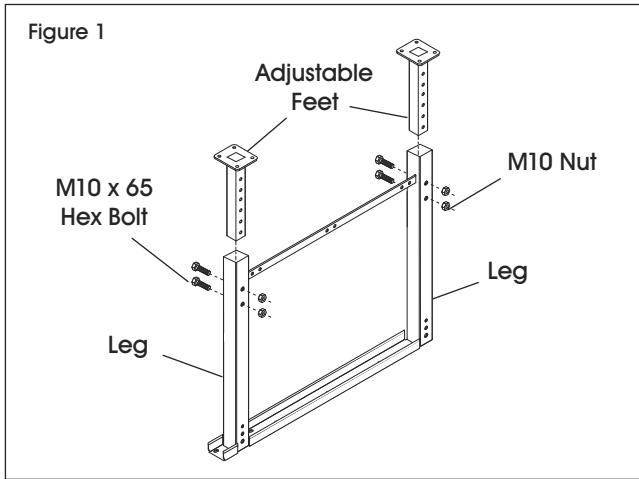
NOTE: Hardware packs are included in shelf and frame packaging. Pack may include more hardware than needed.

ASSEMBLY

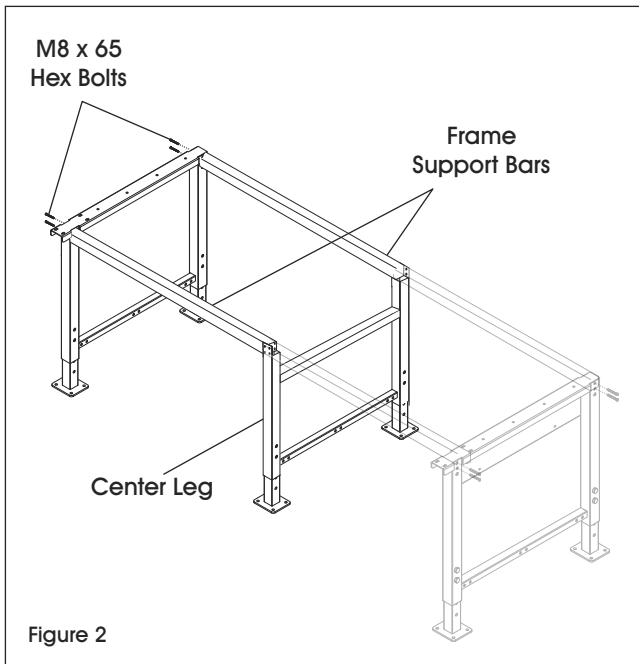
LEGS AND FRAME ASSEMBLY

 **NOTE:** Tabletops add 1½ – 1¾" depending on top purchased.

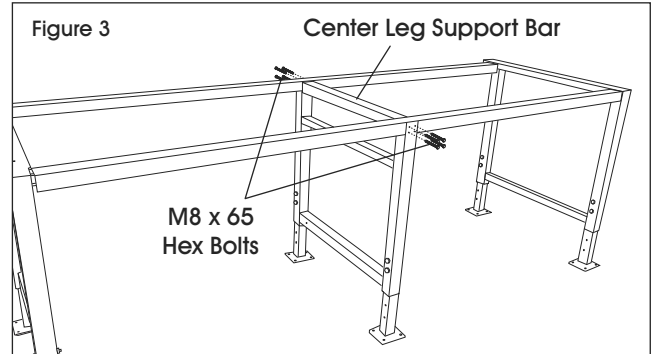
1. Flip legs (1 and 2) upside down. Place adjustable feet (3) into legs and slide to desired height. Fasten adjustable feet to legs with two M10 x 65 hex bolts and two M10 nuts per adjustable foot using a 17 mm wrench. (See Figure 1)




2. Turn legs upright and spread apart to accommodate frame support bars (4). Position frame support bars so that the larger holes are facing down. Open end of frame support bars should be positioned on the center leg (1). Fasten support bars to outside leg (2) with four M8 x 65 hex bolts per leg using a 13 mm wrench. (See Figure 2) Repeat for other side.



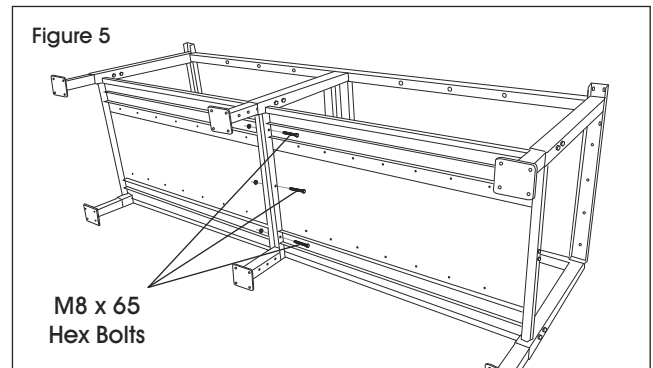
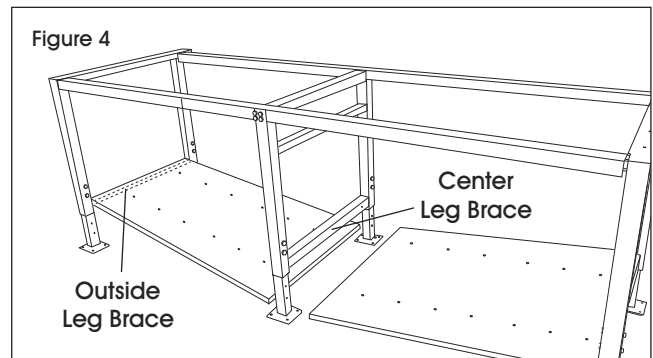
3. Place center leg support bar (8) between frame support bars (4) on top of the center leg. Fasten center leg support bar to frame support bars and center leg (1) with eight M8 x 65 hex bolts using a 13 mm wrench. (See Figure 3)



BOTTOM SHELF ASSEMBLY

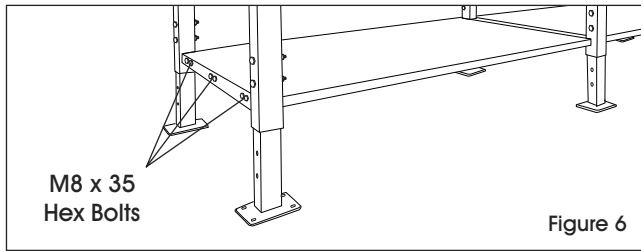
 **NOTE:** Bottom shelf is a two-piece design. One end of each piece has a channel to rest shelf on top of the leg brace on the outside legs. The other end is flat and will bolt to the center leg's brace.

1. Place the end of each shelf piece with the channel across the leg brace of the outside legs. Have two people hold up the end of the shelves that face the center leg (1) and align the holes on the side of the shelf pieces to the holes in the center leg brace. Fasten shelf pieces to center leg brace with three M8 x 65 hex bolts and three M8 nuts using a 13 mm wrench. (See Figures 4-5)



ASSEMBLY CONTINUED

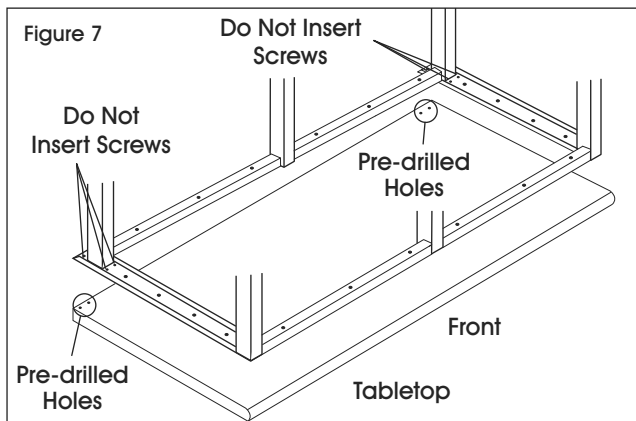
- Fasten end of each shelf piece to the leg brace of the outside legs with six M8 x 35 hex bolts and six M8 nuts per shelf using a 13 mm wrench. (See Figure 6)



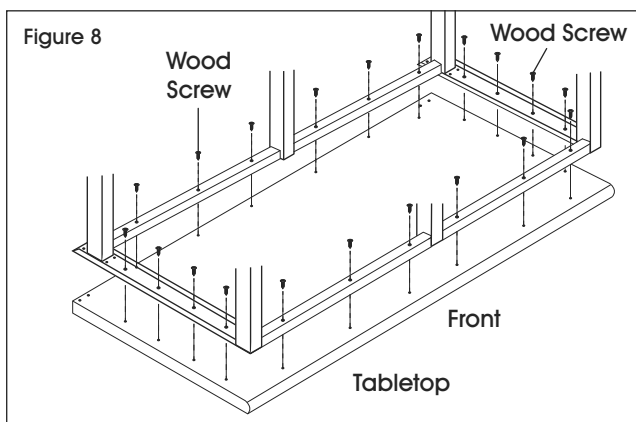
NOTE: If installing casters, follow instructions on page 10.

TOP ASSEMBLY

- To attach tabletop (10) onto frame assembly, place tabletop on a smooth, non-marring surface with top side facing down.
- Rotate assembled frame upside down and line up two pre-drilled holes on back corners of table top. Do not insert screws into these two holes and the two holes in front of them at this time. (See Figure 7)



- Using all other hole locations in frame as a template, drill 3/4" deep pilot holes into tabletop using a 3/16" drill bit. Using 14 (16 for 72" table) wood screws and a drill with a Phillips head drill bit, attach frame to underside of tabletop in these new pilot holes. (See Figure 8)

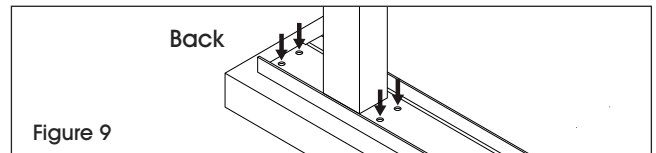


NOTE: Additional pre-drilled holes in tabletop are used for a different product and will not align with this frame. You must pre-drill your own pilot holes.

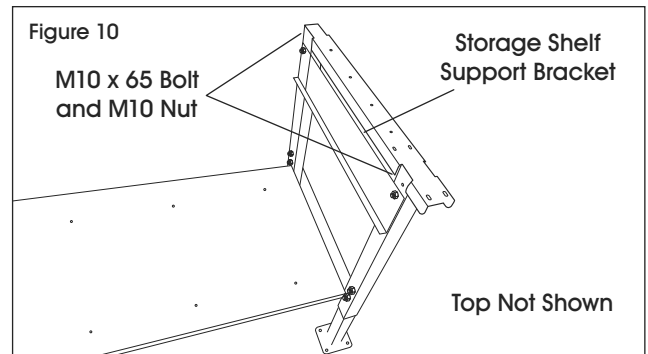
NOTE: Wood screws for front and back of frame are optional but provide more support.

- Using a 1/4" drill bit, drill four holes all the way through tabletop in hole locations shown in Figure 9. They should line up with holes in back of leg. (See Figure 9)

NOTE: These will be used to attach uprights later.



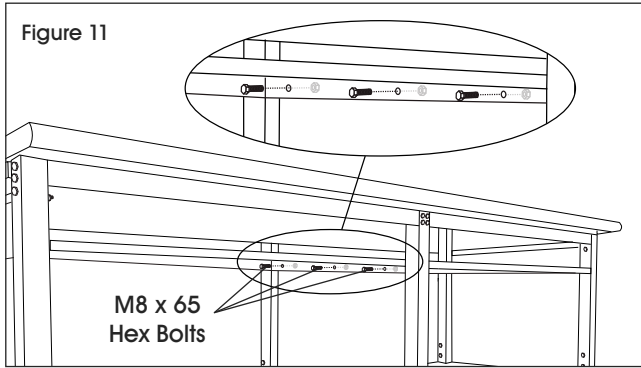
- Carefully set table upright and recheck all screws for tightness.
- Place two storage shelf support brackets (6) onto inside of outside legs (2) with lip side facing down and inside frame. Fasten each support bracket to legs with two M10 x 65 hex bolts and two M10 nuts using a 17 mm wrench. (See Figure 10)



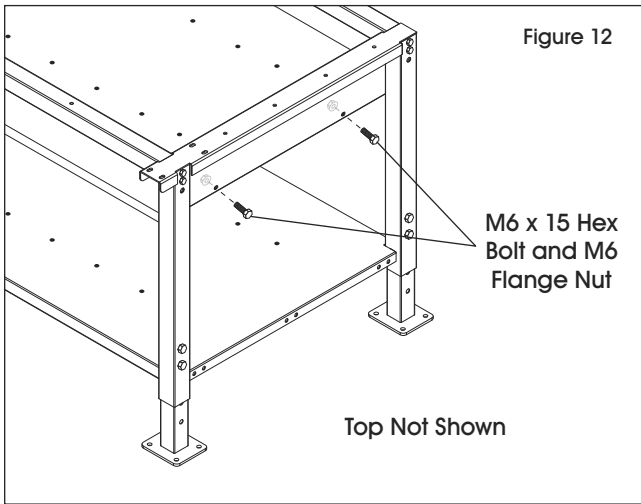
NOTE: 4" high storage shelf is a two-piece design. One end of each piece rests on top of the storage shelf support bracket. The other end will bolt to the center leg's middle brace.

- Slide the end of each shelf piece on top of the storage shelf support bracket. Have two people hold up the end of the shelves that face the center leg and align the holes on the side of the shelf pieces to the holes in the center leg's middle brace. Fasten shelf pieces to center leg's middle brace with three M8 x 65 hex bolts and three M8 nuts using a 13 mm wrench. (See Figure 11)

ASSEMBLY CONTINUED



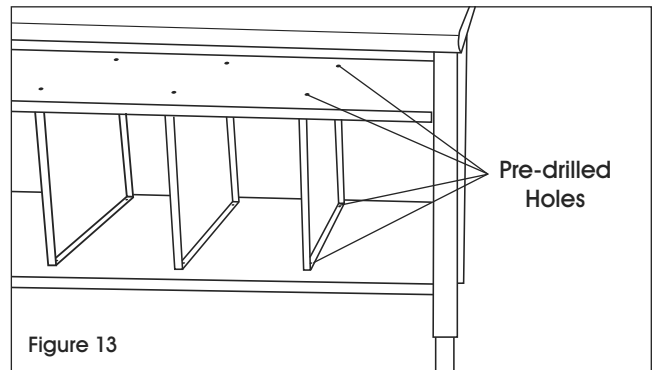
- Align two holes located on end of each shelf piece with two holes in support brackets (6). Fasten each shelf piece to support brackets with two M6 x 15 hex bolts and two M6 flange nuts using a 10 mm wrench. (See Figure 12)



- Recheck and tighten all bolts.

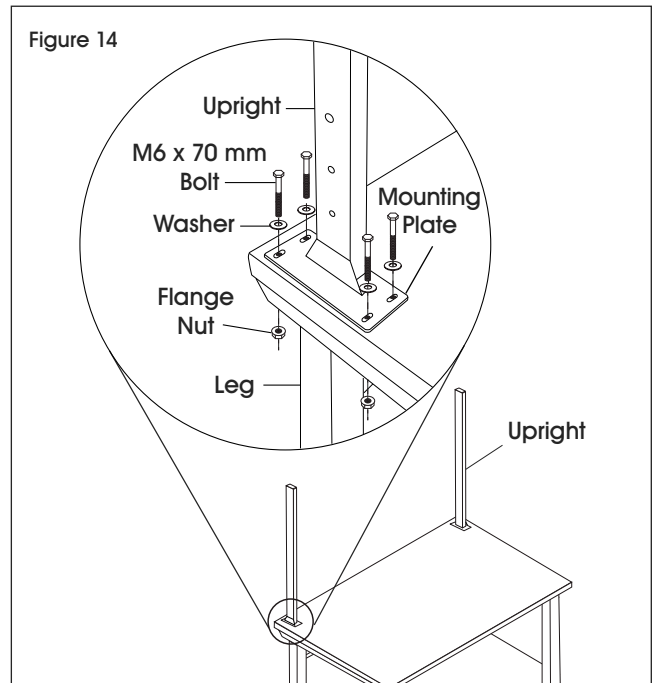
BOTTOM SHELF DIVIDER ASSEMBLY

- Four bottom shelf dividers are included with packing station. To attach, slide shelf dividers between full depth bottom shelf and 4" high storage shelf and align with two pre-drilled holes in each shelf. Fasten each divider with four M6 Phillips head bolts and four M6 flange nuts using a Phillips screwdriver and 10 mm wrench. (See Figure 13)



UPRIGHT ASSEMBLY

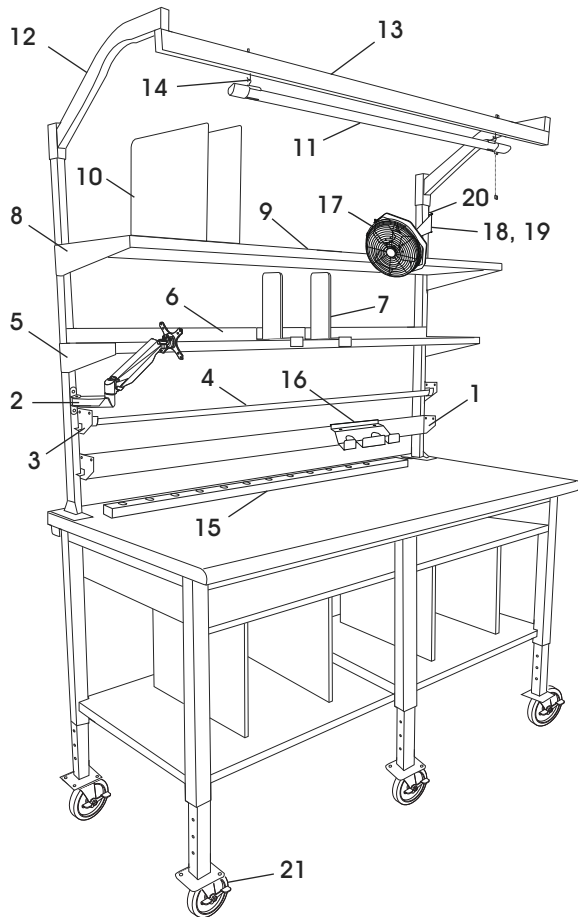
- Position upright on back corner of tabletop. Mounting plate should be positioned directly over the previously drilled holes. Fasten four M6 x 70 hex bolts and flat washers through uprights, tabletop and legs using a 10 mm wrench. Secure with four M6 flange nuts on underside of table. (See Figure 14)



- Repeat with second upright.

OPTIONAL ACCESSORIES

 **NOTE:** The following products are optional accessories. Mounting hardware is included with each accessory.



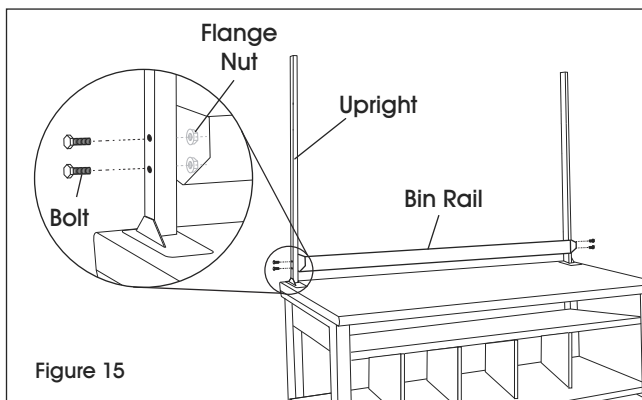
#	DESCRIPTION	QTY.
1	Bin Rail	1
2	Monitor Arm**	1
3	Reel Holder Bracket	2
4	Reel Holder	1
5	12" Deep Top Shelf Bracket	2
6	12" Deep Top Shelf	1
7	12" Deep Top Shelf Divider	*
8	16" Deep Box Shelf Bracket	2
9	16" Deep Box Shelf	1
10	16" Deep Box Shelf Divider	6
11	LED Shop Light	1
12	Light Bracket	2
13	Light Steel Beam	1
14	"S" Hook	2
15	Tabletop Power Strip	1
16	Tape Gun Holder	1
17	Fan	1
18	6" Fan Mounting Bracket	1
19	10" Fan Mounting Bracket	1
20	Fan Upright Mounting Bracket	1
21	Caster	6
	Tape Gun Upright Mounting Bracket (Not Shown)	1
	Horizontal Paper Cutter (Not Shown)	1

*Quantity varies according to accessories purchased.

**Use appropriate bolts for monitor.

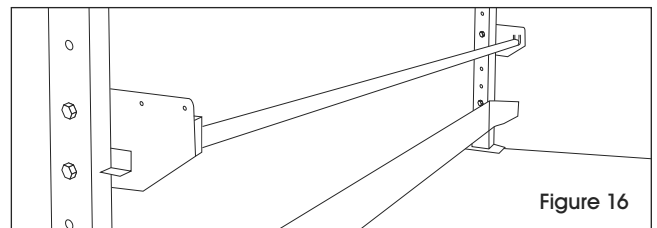
BIN RAIL ASSEMBLY

1. Line up bin rail (1) with uprights at desired height.
2. Secure to uprights with four 1½" bolts and flange nuts. (See Figure 15)




REEL HOLDER ASSEMBLY

1. Line up reel holder brackets (3) with uprights at desired height.
2. Secure to uprights with four M6 x 40 mm hex bolts and flange nuts. (See Figure 16)



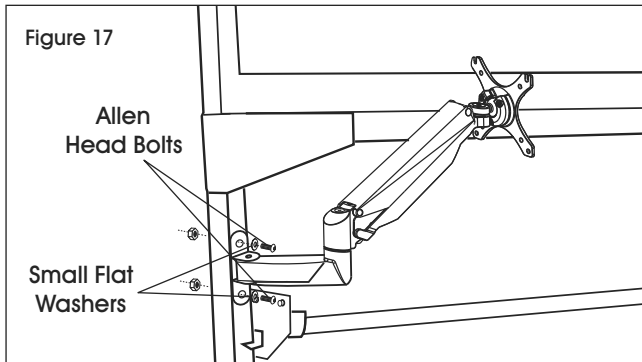
3. Place reel (4) inside bracket grooves.

 **NOTE:** Six core plugs are included. Insert into label or paper roll to reduce diameter for better fit on reel.




OPTIONAL ACCESSORIES CONTINUED

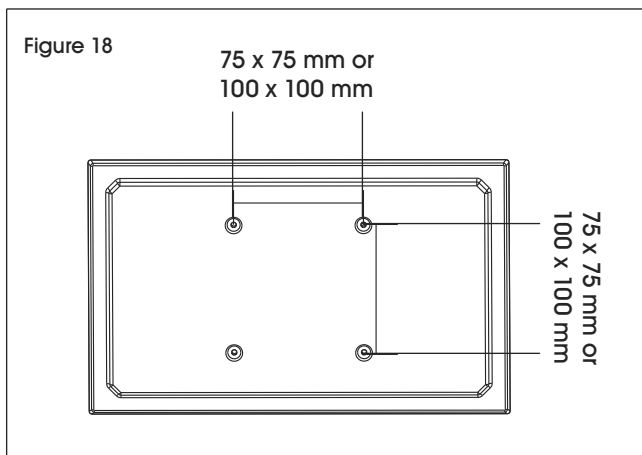
MONITOR ARM ASSEMBLY

1. Line up monitor arm mounting bracket (2) with uprights at desired height.
2. Secure to uprights with two M6 x 35 mm or M6 x 50 mm Allen head bolts, two small flat washers and two hex nuts using an Allen wrench and 10 mm wrench. (See Figure 17)

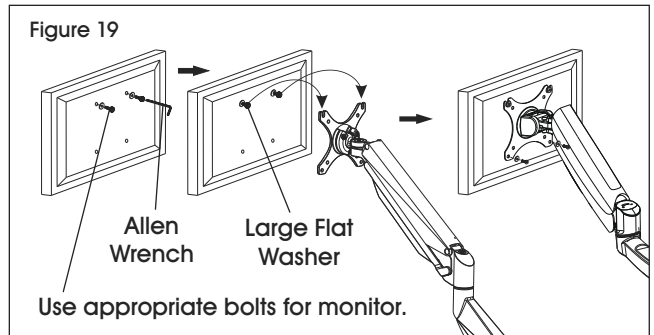


ATTACHING MONITOR

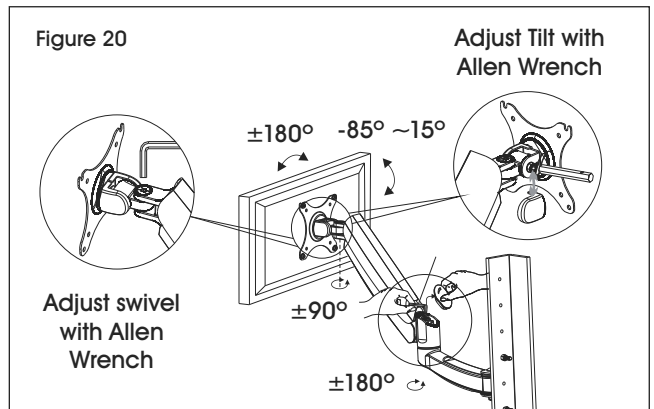
-  **NOTE:** Make sure monitor has a VESA hole pattern of 100 x 100 mm or 75 x 75 mm. (See Figure 18)
-  **NOTE:** If monitor is attached to a fixed base, remove monitor from base.
-  **CAUTION!** Be careful not to scratch screen during installation.



1. Easy-adjust monitor mount includes a built-in counterweight system for free-range motion. Arm in mount may need to be adjusted to allow monitor to stop at desired position. Attach monitor to plate. (See Figure 19)

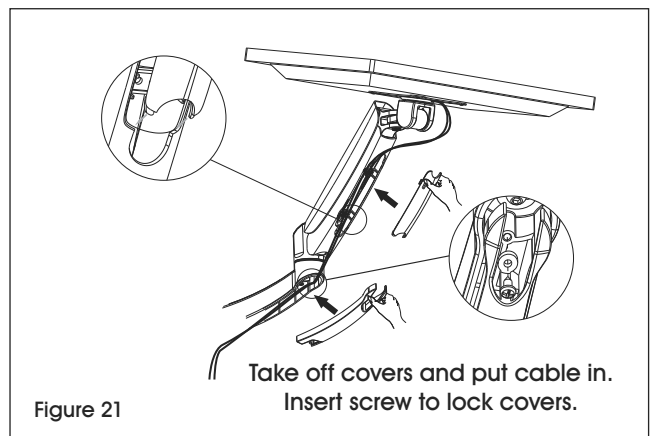


2. To adjust the counterweight, use 5 x 5 Allen wrench on screw above middle joint. Turn towards "-" if monitor raises up. Turn towards "+" if monitor lowers. Adjust until mount can be stopped at desired position. (See Figure 20)



CABLE MANAGEMENT

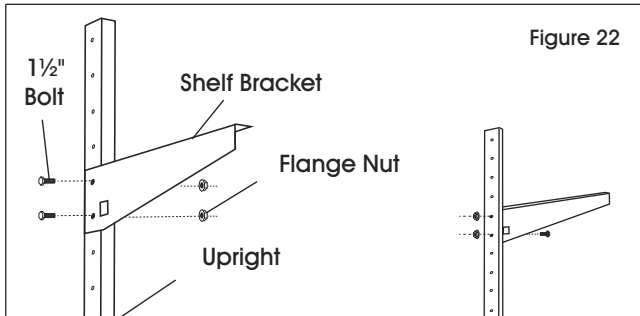
1. To remove covers, use a Phillips head screwdriver to unscrew the two screws securing covers to the monitor arm. This allows user to slide cables through covers. Once complete, re-secure the covers to the monitor arm using the Phillips head screws. (See Figure 21)



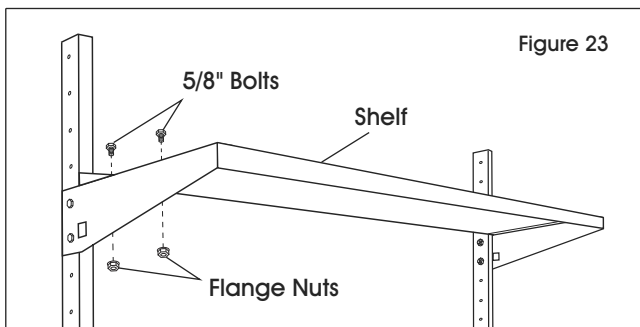
OPTIONAL ACCESSORIES CONTINUED

12" DEEP TOP SHELF ASSEMBLY

1. Line up shelf brackets (5) with uprights at desired height.
2. Secure to uprights with four 1½" bolts and flange nuts. (See Figure 22)

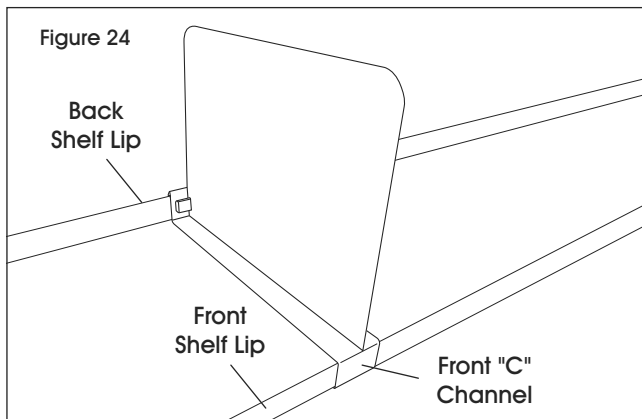


3. Place shelf (6) on brackets. Install to brackets with four 5/8" bolts and flange nuts. (See Figure 23)



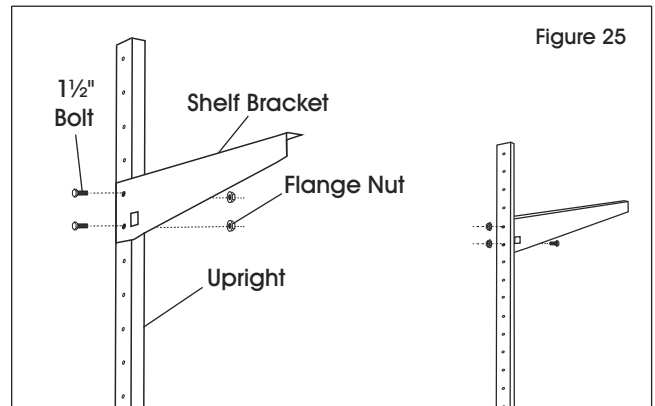
12" DEEP TOP SHELF DIVIDER ASSEMBLY

1. Line up front "C" channel of divider (7) with front lip of top shelf. Insert divider into front lip at angle. Once in place, allow divider to drop and magnetize to back shelf lip. (See Figure 24)

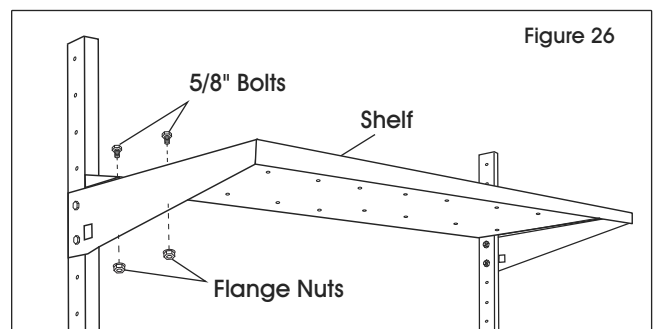


16" DEEP BOX SHELF ASSEMBLY

1. Line up shelf brackets (8) with uprights at desired height.
2. Secure to uprights with four 1½" bolts and flange nuts. (See Figure 25)

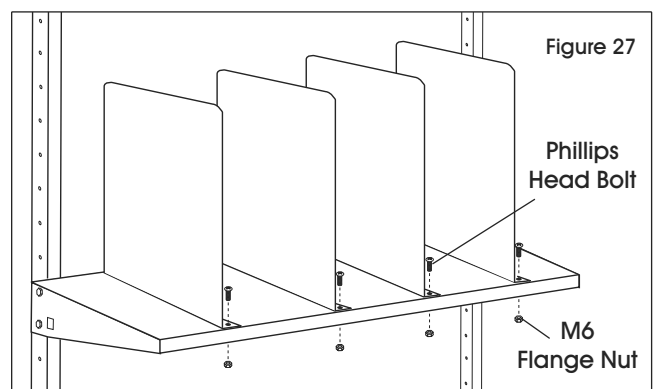


3. Place shelf (9) on brackets. Install to brackets with four 5/8" bolts and flange nuts. (See Figure 26)



16" DEEP BOX SHELF DIVIDER ASSEMBLY

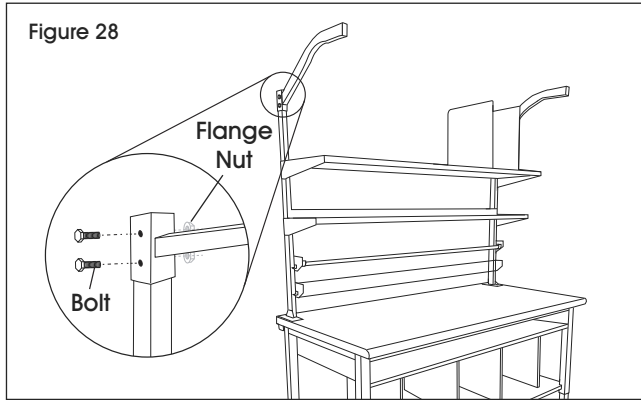
1. Six box shelf dividers (10) are included with box shelf. To attach, line up front and rear pre-drilled holes on top of shelf. Fasten each divider with two Phillips head bolts and two M6 flange nuts using a Phillips screwdriver and 10 mm wrench. (See Figure 27)



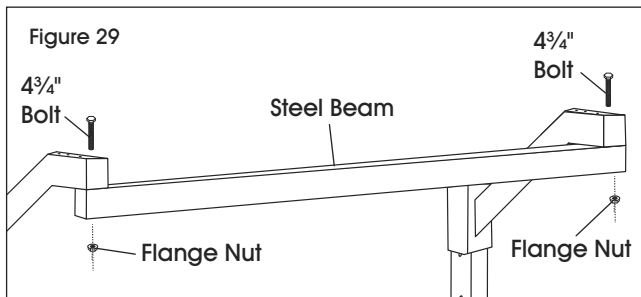
OPTIONAL ACCESSORIES CONTINUED

LIGHT KIT ASSEMBLY

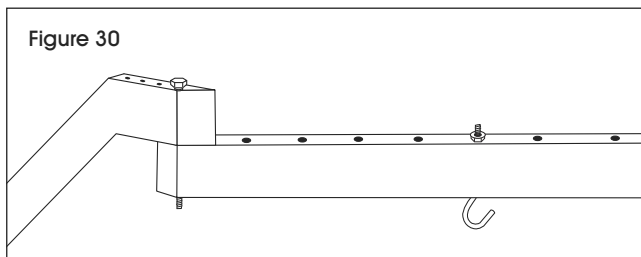
1. Line up light brackets (12) with uprights at desired height.
2. Secure to uprights with four 2" bolts and flange nuts. (See Figure 28)



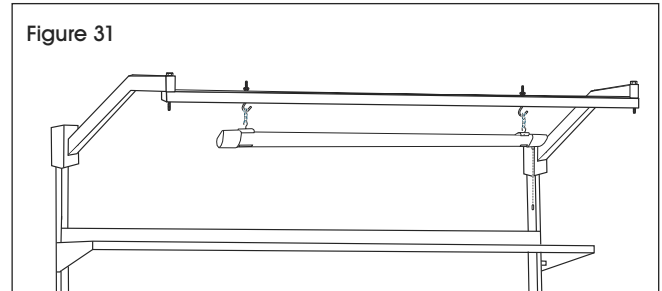
3. Place light steel beam (13) at desired depth underneath brackets. Fasten to brackets with two 4 $\frac{3}{4}$ " bolts and flange nuts. (See Figure 29)



4. Place two "S" hooks (14) at desired mounting points along the steel beam and secure with two flange nuts. (See Figure 30)

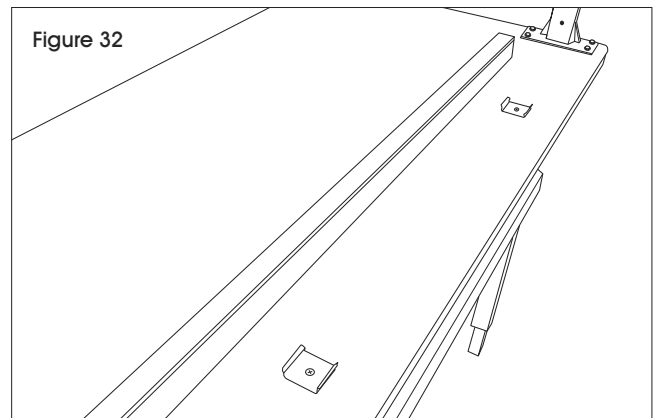


5. Attach hanging chains to LED shop light (11) and mount to "S" hooks. (See Figure 31)

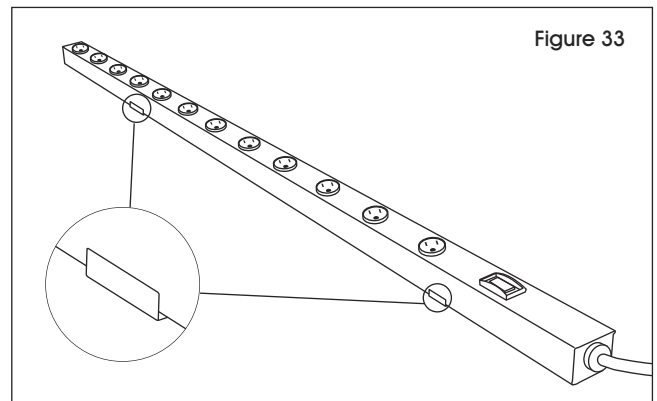


TABLETOP POWER STRIP ASSEMBLY

1. Choose desired location for power strip (15). Place two supplied mounting clips roughly 32" apart (clip side up). Using an electric drill, fasten to tabletop with two supplied wood screws. (See Figure 32)



2. Secure power strip by snapping into the mounting clips. (See Figure 33)

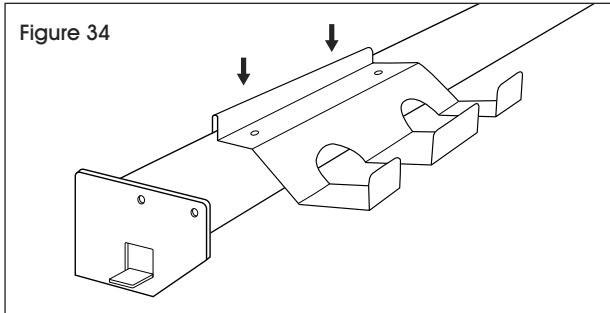


OPTIONAL ACCESSORIES CONTINUED

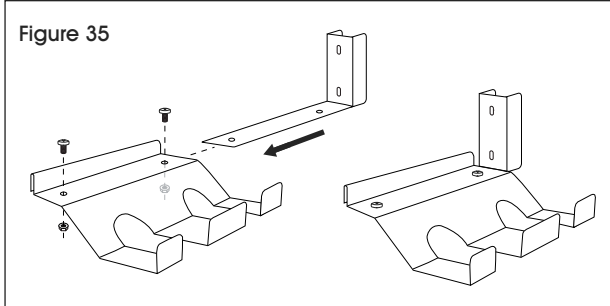
TAPE GUN HOLDER ASSEMBLY

 **NOTE:** Tape Gun Holder can be attached to uprights or bin rail.

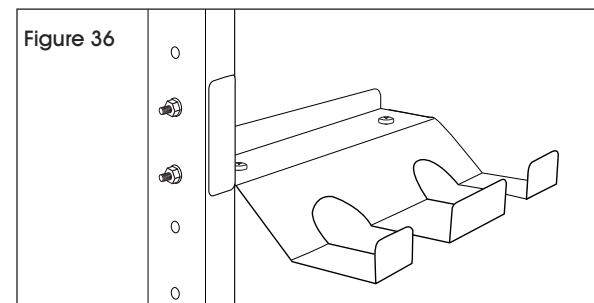
1. If attaching to bin rail, no assembly is needed. Place the back folded lip of the bracket over the bin rail. Push down to ensure it is set firmly in place. (See Figure 34)



2. If attaching to uprights, slide tape gun upright bracket underneath tape gun holder and align the holes in the bracket to the holes on top of the holder. Attach with two M5 x 10 mm pan head screws and two M5 flange nuts using a Phillips screwdriver and 8 mm wrench. (See Figure 35)



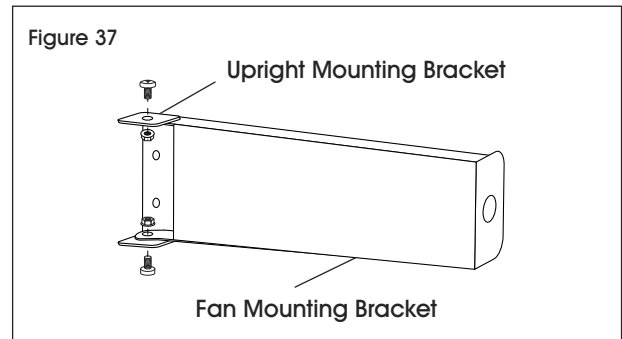
3. Align gun holder and upright bracket with uprights at desired height.
4. Secure to uprights with two M6 x 40 mm hex bolts and two M6 flange nuts. (See Figure 36)



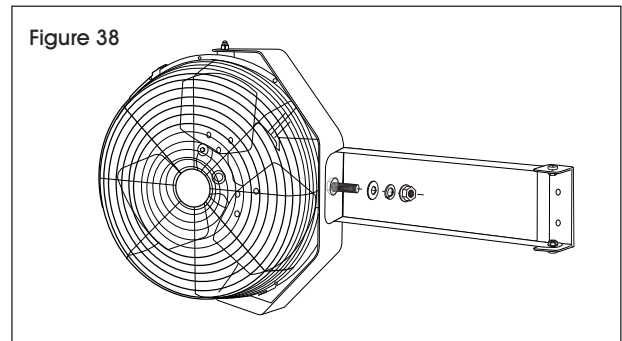
FAN ASSEMBLY

 **NOTE:** Fan comes with 6" and 10" long bracket. Choose desired bracket based on application.

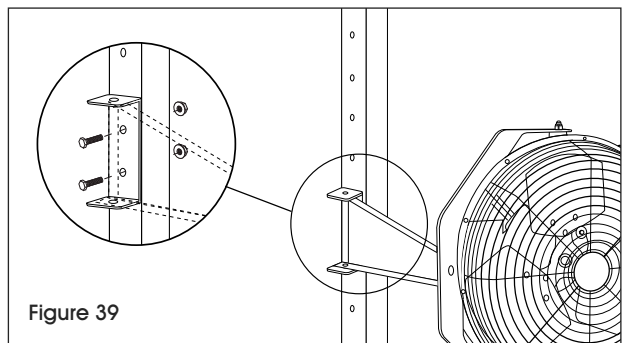
1. Slot 6" or 10" fan mounting bracket between opening in fan upright mounting bracket. Align holes of each bracket and attach using two M6 x 12 mm hex bolts and two M6 flange nuts. (See Figure 37)



2. Align hole on the opposite end of fan mounting bracket to the hole on the crescent fan bracket. Attach using M12 x 20 mm hex bolt, M12 washer, M12 lock washer and M12 hex nut. (See Figure 38)




3. Align fan assembly with uprights at desired height.
4. Secure to uprights with two M6 x 40 mm hex bolts and two M6 flange nuts. (See Figure 39)



OPTIONAL ACCESSORIES CONTINUED

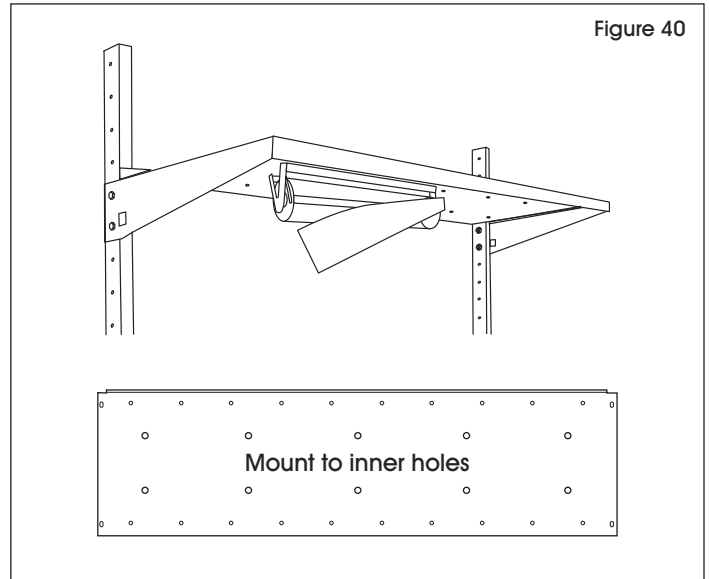
HORIZONTAL PAPER CUTTER ASSEMBLY

1. Box shelf can support the attachment of Uline 24" or 36" Horizontal Paper Cutters (H-194, H-195, H-1244 and H-1245). To attach, position the paper cutter underneath the shelf and align with two front and two rear pre-drilled holes in shelf. Fasten with four flange nuts and Phillips head bolts included with box shelf using a Phillips screwdriver and 10 mm wrench. (See Figure 37)

 **NOTE:** Cutter mounting holes are the innermost holes of the shelf. The outer holes are used to attach shelf dividers.

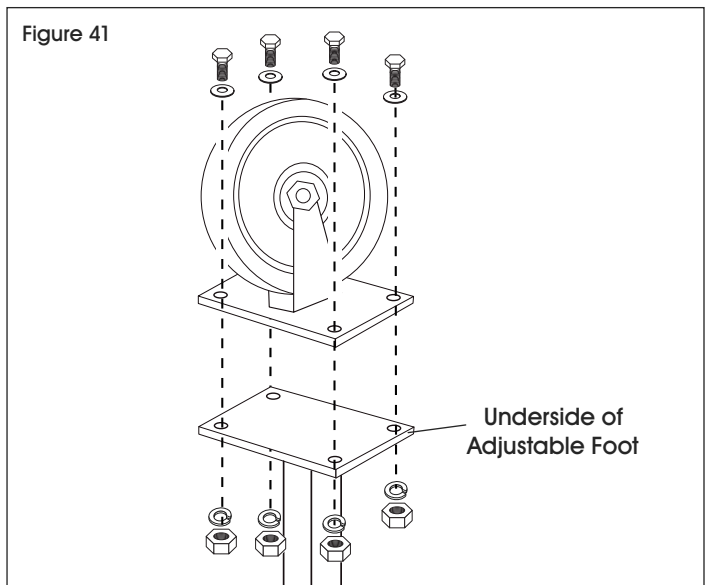
 **NOTE:** Paper cutters are not compatible with 12" deep Deluxe Workstation Shelves.

 **NOTE:** Only one cutter should be installed per shelf due to weight capacity.



CASTER ASSEMBLY

1. Line up casters with feet. Attach casters with four bolts, flat washers, lock washers and nuts. Secure using a 17 mm wrench. (See Figure 41)



TROUBLESHOOTING

OPERATING ISSUE	RECOMMENDATIONS
Accessory too short/doesn't fit between uprights.	Ensure uprights are facing the right direction. (See Upright Assembly in instructions)
M8 hex bolts have varying size heads.	13 mm or 14 mm open end wrench(s) may be needed.
Tabletop is hard to drill through due to clearance in step 2 of Top Assembly.	Remove the storage shelf support brackets and re-attach after drilling the holes.
Frame support bars are not fitting into legs.	Align the two and insert M8 x 65 hex bolts through the legs and into the frame support bars. Start fastening the M8 x 65 hex bolts to help bring support bars and legs together.
Paint bubble blocking holes for bolts.	Insert bolt as far as it goes and start threading it through the hole. Bolt will work its way through and break paint bubble.



1-800-295-5510
uline.com

ULINE H-8226

ESTACIÓN DE EMPAQUE DE 96"

800-295-5510

uline.mx

HERRAMIENTAS NECESARIAS



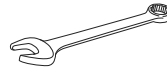
Taladro Eléctrico



Broca de 1/4"



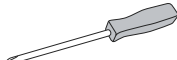
Llave Allen (incluida)



Llave de 8 mm
Llave de 10 mm
Llave de 13 mm
Llave de 17 mm



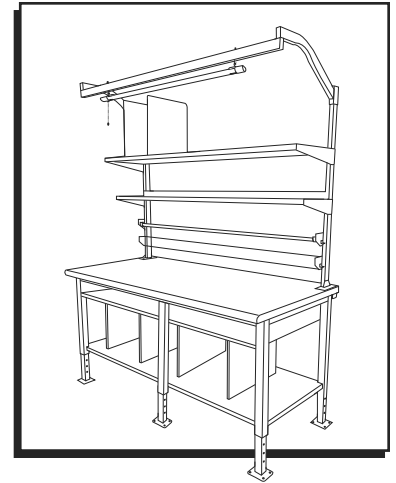
Broca de Cruz



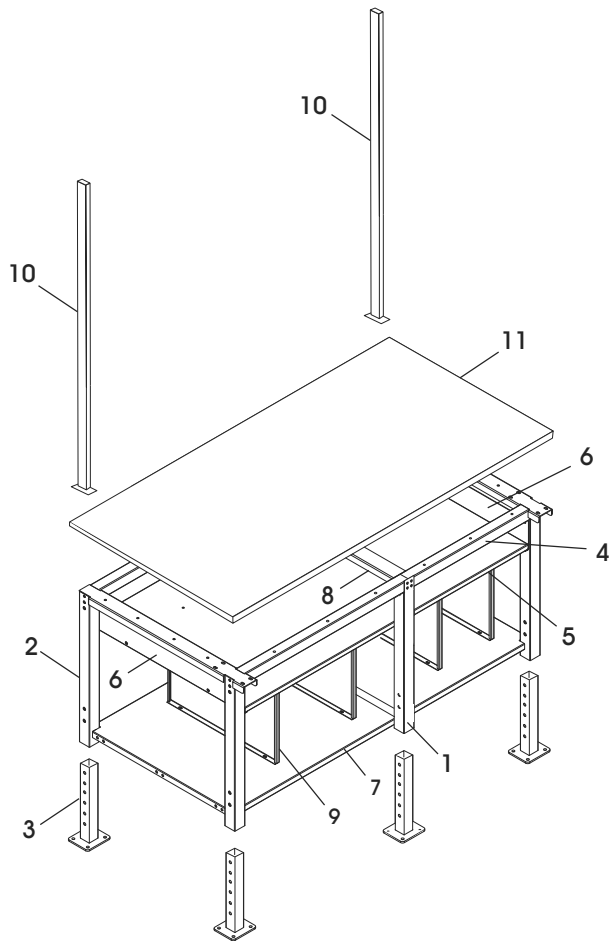
Desarmador de Cruz



Se Requiere Armar Entre Tres Personas



PARTES



PARTES

#	DESCRIPCIÓN	CANT.
1	Pata Central	1
2	Pata Exterior	2
3	Base Ajustable	6
4	Barra de Soporte del Armazón	4
5	Repisa de Almacenamiento de 4" de Alto – 2 Piezas	1
6	Soporte para Repisa de Almacenamiento	2
7	Repisa Inferior de Profundidad Completa – 2 Piezas	1
8	Barra de Soporte de la Pata Central	1
9	Divisor para Repisa Inferior	4
10	Poste	2
11	Cubierta	1

Kit de Accesorios

12 Pernos Hexagonales M8 x 12	22 Pernos Hexagonales M8 x 22
4 Pernos Hexagonales M6 x 15	16 Pernos Hexagonales M10 x 65
16 Pernos de Cruz M6	8 Pernos Hexagonales M6 x 70
28 Tuercas con Reborde M6	30 Tornillos para Madera de 6 x 30 mm
18 Tuercas M8	16 Tuercas M10
	8 Rondanas Planas



¡PRECAUCIÓN! Algunas partes pueden tener bordes filosos. Debe tener cuidado cuando manipule varias piezas para evitar lesiones. Por su seguridad, utilice un par de guantes de trabajo cuando ensamble.

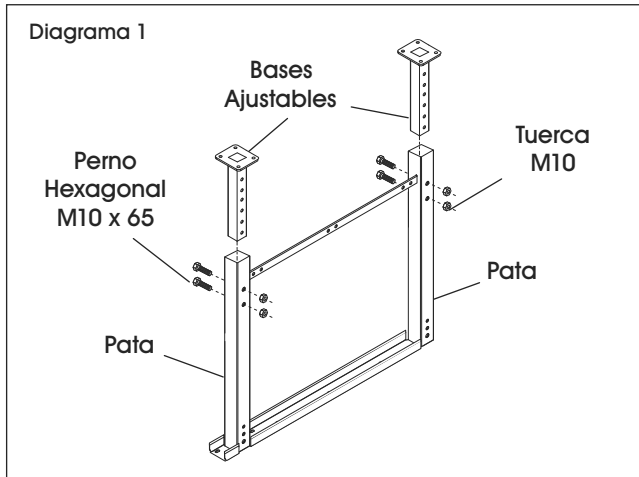


NOTA: Los paquetes de tornillería se incluyen en el empaque de la repisa y del armazón. El paquete podría incluir más tornillería de la necesaria.

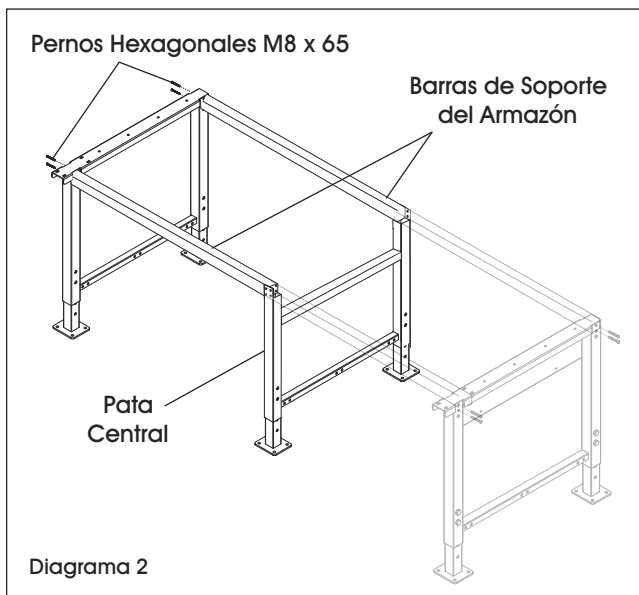
ENSAMBLE DE LAS PATAS Y ARMAZÓN

 **NOTA:** Las cubiertas de mesa agregan 1½ – 1¾" dependiendo de la cubierta adquirida.

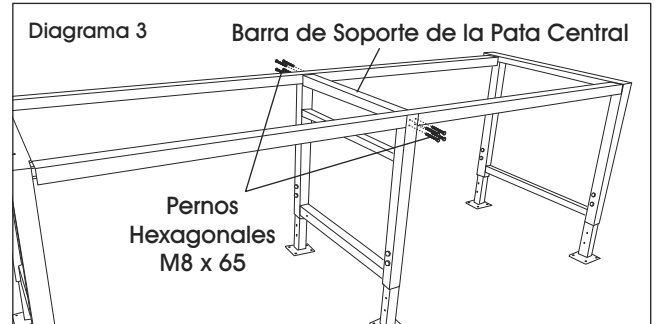
1. Voltee las patas (1 y 2) al revés. Coloque las bases ajustables (3) en las patas y deslice a la altura deseada. Asegure las bases ajustables a las patas con dos pernos hexagonales M10 x 65 y dos tuercas M10 por base ajustable utilizando una llave de 17 mm. (Vea Diagrama 1)




2. Voltee las patas a su posición normal y sepárelas para acomodar las barras de soporte del armazón (4). Coloque las barras de soporte del armazón de tal manera que los orificios más grandes queden hacia abajo. El extremo abierto de las barras de soporte del armazón debe posicionarse en la pata central (1). Una las barras de soporte a la pata exterior (2) con cuatro pernos hexagonales M8 x 65 por cada pata utilizando una llave de 13 mm. (Vea Diagrama 2) Repita en el otro lado.



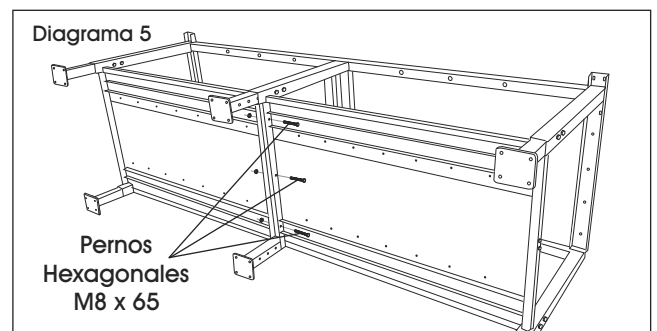
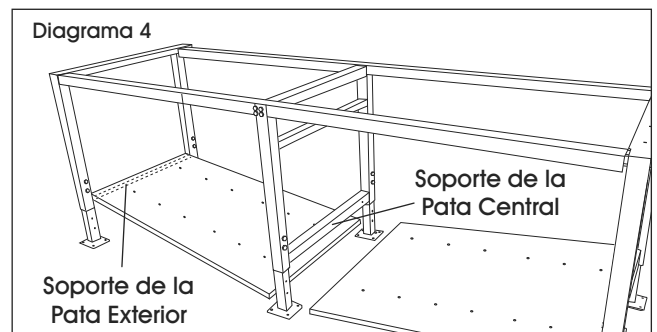
3. Coloque la barra de soporte de la pata central (8) entre las barras de soporte del armazón (4) encima de la pata central. Una la barra de soporte de la pata central a las barras de soporte y la pata central (1) con cuatro pernos hexagonales M8 x 65 utilizando una llave de 13 mm. (Vea Diagrama 3)



ENSAMBLE DE LA REPISA INFERIOR

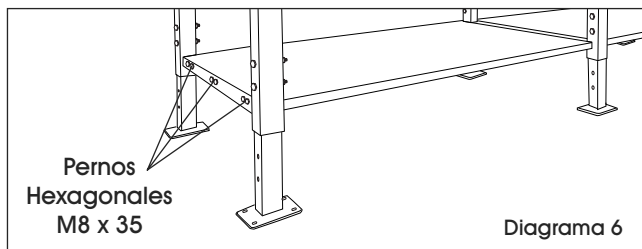
 **NOTA:** La repisa inferior es un diseño de dos piezas. Un extremo de cada pieza tiene un canal para colocar la repisa sobre el soporte para patas en las patas exteriores. El otro extremo está plano y se atornilla al soporte de la pata central.

1. Coloque el extremo de cada pieza de la repisa con el canal a lo largo del soporte para patas de las patas exteriores. Mientras dos personas sostienen el extremo de las repisas que quedan hacia la pata central (1), alinee los orificios del lateral de las piezas de las repisas con los orificios del soporte de la pata central. Una las piezas de las repisas al soporte de la pata central con tres pernos M8 x 65 y tres tuercas M8 utilizando una llave de 13 mm. (Vea Diagramas 4-5)



CONTINUACIÓN DEL ENSAMBLE

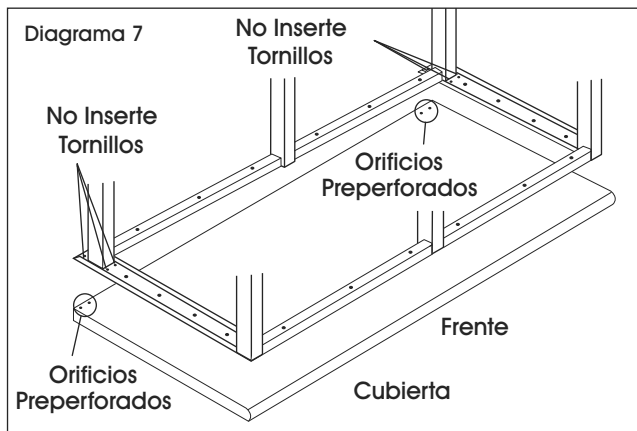
- Una el extremo de cada pieza de la repisa al soporte de las patas exteriores con seis pernos M8 x 35 y seis tuercas M8 por repisa utilizando una llave de 13 mm. (Vea Diagrama 6)



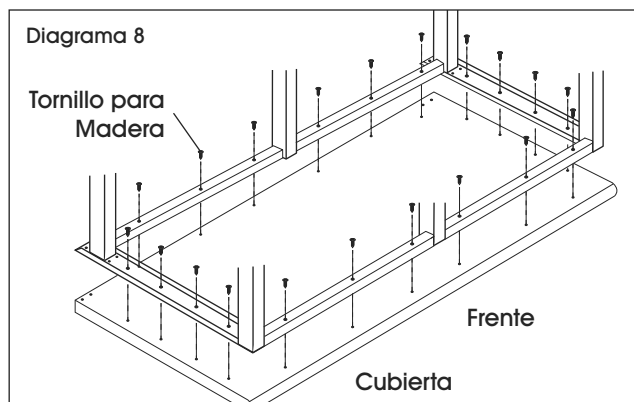
NOTA: Si va a instalar ruedas, siga las instrucciones de la página 21.

ENSAMBLE DE LA CUBIERTA

- Para asegurar la cubierta al ensamblaje del armazón, colóquela sobre una superficie plana, que no deje marcas con el lado superior hacia abajo.
- Voltee el armazón ensamblado hacia abajo y alinee dos orificios preperforados en las esquinas posteriores de la cubierta. No inserte tornillos en estos dos orificios ni en los dos orificios enfrente de ellos en este momento. (Vea Diagrama 7)



- Usando los otros orificios en el armazón como plantilla, perforo orificios guía de 3/4" de profundidad en la cubierta de la mesa con una broca de 3/16". Usando 14 (16 para mesa de 72") tornillos para madera y un taladro con una broca de punta de cruz, fije el armazón a la parte inferior de la cubierta de la mesa en los orificios guía nuevos. (Vea Diagrama 8)

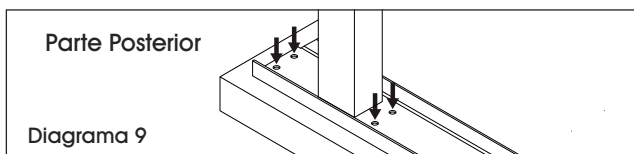


NOTA: Los orificios adicionales preperforados en la cubierta se usan para diferentes productos y no se alinean con este armazón.

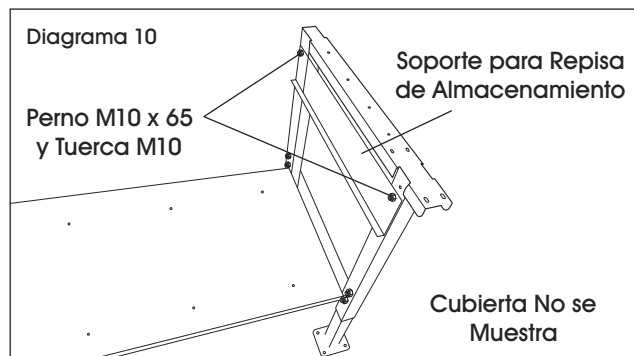
NOTA: Los tornillos para madera de la parte frontal y posterior del armazón son opcionales pero brindan más soporte.

- Utilizando una broca de 1/4", perforo cuatro orificios a través de la cubierta de mesa en donde hay orificios que se muestran en el Diagrama 9. Deben alinearse con los orificios en la parte posterior de la pata. (Vea Diagrama 9)

NOTA: Se usarán después para fijar los postes.



- Enderece la mesa con cuidado y revise el ajuste de los tornillos.
- Coloque dos soportes para repisas de almacenamiento (6) dentro de las patas exteriores (2) con el borde hacia abajo y dentro del armazón. Una cada soporte a las patas con dos pernos hexagonales M10 x 65 y dos tuercas M10 utilizando una llave de 17 mm. (Vea Diagrama 10)

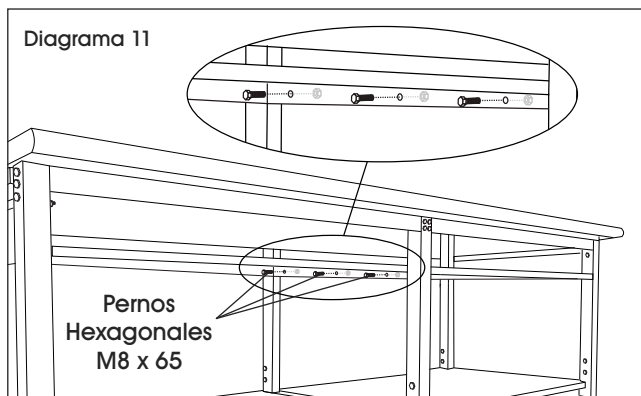


CONTINUACIÓN DEL ENSAMBLE

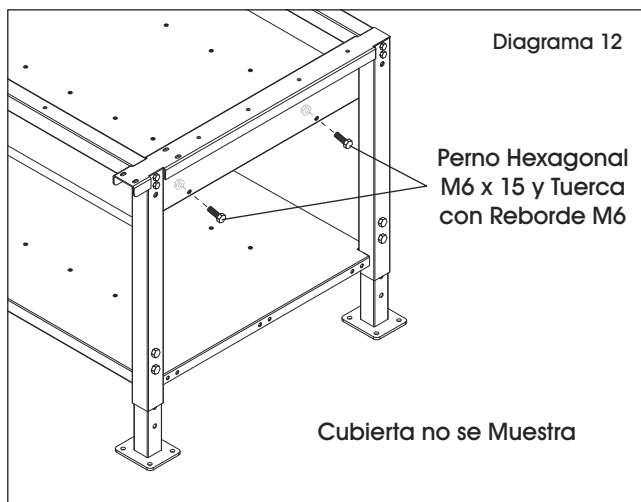


NOTA: La repisa de almacenamiento de 4" de alto es un diseño de dos piezas. Un extremo de cada pieza descansa sobre el soporte para repisa de almacenamiento. El otro extremo se atornilla al soporte intermedio de la pata central.

- Deslice el extremo de cada pieza de la repisa sobre el soporte de repisa de almacenamiento. Mientras dos personas sostienen el extremo de las repisas que quedan hacia la pata central, alinee los orificios del lateral de las piezas de las repisas con los orificios del soporte intermedio de la pata central. Una las piezas de las repisas al soporte intermedio de la pata central con tres pernos M8 x 65 y tres tuercas M8 utilizando una llave de 13 mm. (Vea Diagrama 11)



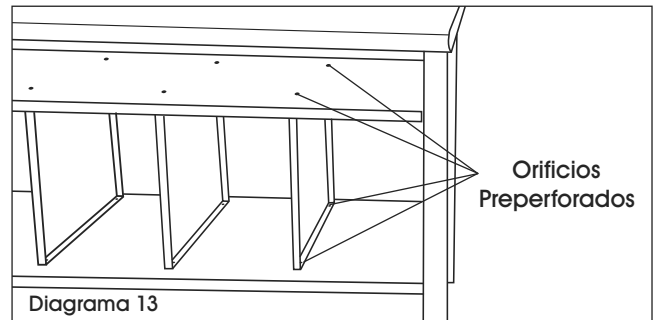
- Alinee dos orificios localizados en el extremo de cada pieza de repisa con dos orificios en los soportes (6). Una cada repisa a los soportes con dos pernos hexagonales M6 x 15 y dos tuercas con reborde M6 utilizando una llave de 10 mm. (Vea Diagrama 12)



- Revise de nuevo y apriete todos los perno

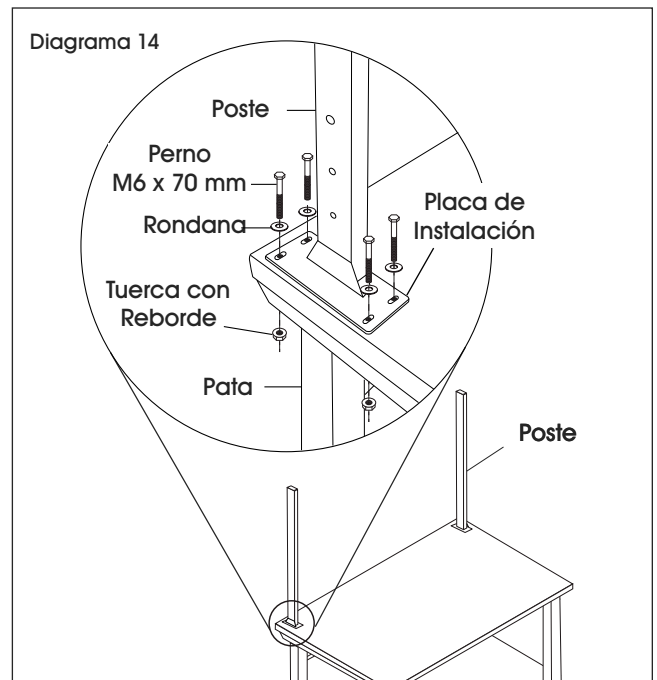
ENSAMBLE DE DIVISORES PARA REPISA INFERIOR

- La estación de empaque incluye cuatro divisores para repisa inferior. Para fijarlos, deslice los divisores para repisa entre la repisa inferior de profundidad completa y la repisa de almacenamiento de 4" de alto y alinéelos con dos orificios preperforados en cada repisa. Una cada divisor con cuatro pernos de cruz M6 y cuatro tuercas con reborde M6 utilizando un desarmador de cruz y una llave de 10 mm. (Vea Diagrama 13)



ENSAMBLE DE POSTES

- Posicione el poste en la esquina posterior de la cubierta de la mesa. La placa de instalación debe posicionarse directamente sobre los orificios previamente perforados. Apriete cuatro pernos hexagonales M6 x 70 y rondanas planas a través de los postes, cubierta de la mesa y patas utilizando una llave de 10 mm. Asegure con cuatro tuercas con reborde M6 en la parte inferior de la mesa. (Vea Diagrama 14)

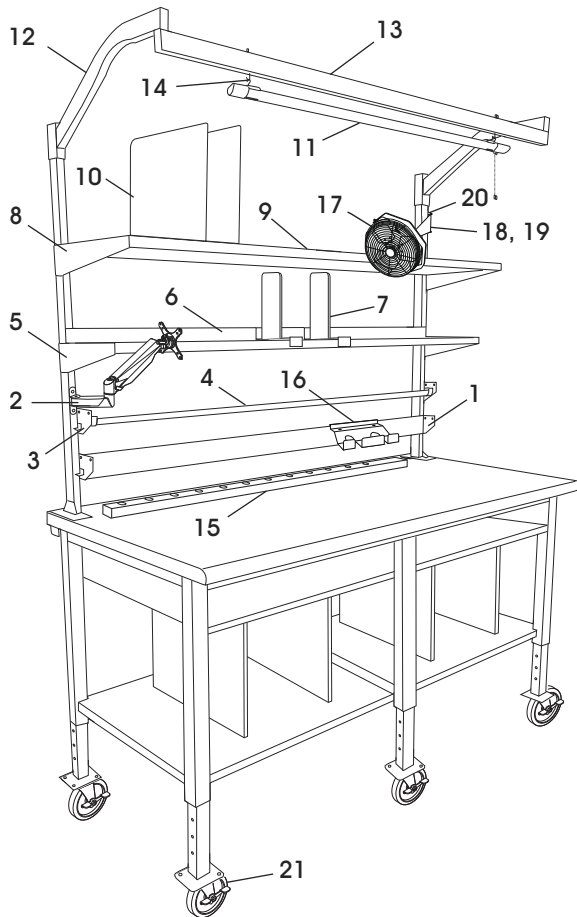


- Repita con el segundo poste.

ACCESORIOS OPCIONALES



NOTA: Los siguientes productos son accesorios opcionales.
La tornillería de instalación se incluye con cada accesorio.



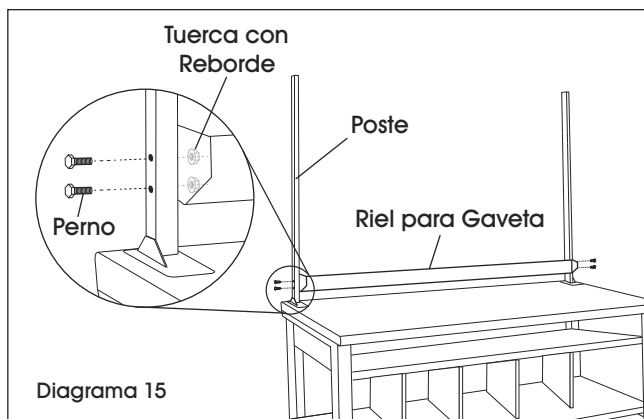
#	DESCRIPCIÓN	CANT.
1	Riel para Gaveta	1
2	Brazo para Monitor**	1
3	Brazo del Soporte del Carrete	2
4	Soporte del Carrete	1
5	Soporte para Repisa Superior de 12" de Profundidad	2
6	Repisa Superior de 12" de Profundidad	1
7	Divisor para Repisa Superior de 12" de Profundidad	*
8	Soporte para Repisa para Cajas de 16" de Profundidad	2
9	Repisa para Cajas de 16" de Profundidad	1
10	Divisor para Repisa para Cajas de 16" de Profundidad	6
11	Lámpara LED para Taller	1
12	Soporte Ligero	2
13	Barra de Acero Ligero	1
14	Gancho en "S"	2
15	Multicontacto de Mostrador	1
16	Soporte para Despachador de Cinta	1
17	Ventilador	1
18	Soporte de Instalación de Ventilador de 6"	1
19	Soporte de Instalación de Ventilador de 10"	1
20	Soporte Vertical de Instalación de Ventilador	1
21	Rueda	6
	Soporte de Instalación del Poste para el Despachador de Cinta (No Se Muestra)	1
	Cortadora de Papel Horizontal (No Se Muestra)	1

*La cantidad varía según los accesorios adquiridos.

**Use los pernos adecuados para el monitor.

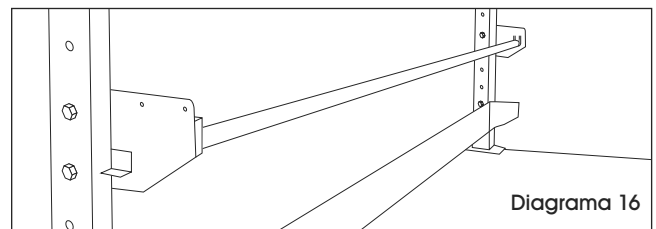
ENSAMBLE DE RIEL PARA GAVETAS

1. Alinee el riel para gavetas (1) con los postes a la altura deseada.
2. Asegure a los postes con cuatro pernos de 1½" y tuercas con reborde. (Vea Diagrama 15)



ENSAMBLE DE SOPORTE DEL CARRETE

1. Alinee los soportes del carrete (3) con los postes a la altura deseada.
2. Fíjelos a los postes con cuatro pernos hexagonales M6 x 40 mm y tuercas con reborde. (Vea Diagrama 16)



3. Coloque el carrete (4) dentro de las ranuras de los soportes.

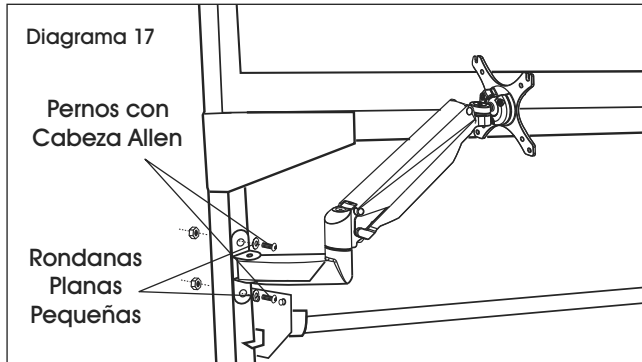


NOTA: Incluye seis tubos para núcleos. Inserte dentro de un rollo de etiquetas o papel para reducir el diámetro y que se ajuste mejor al carrete.

CONTINUACIÓN DE ACCESORIOS OPCIONALES

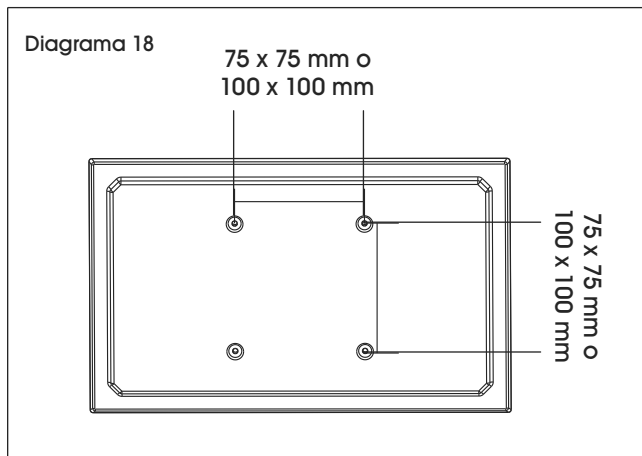
ENSAMBLE DEL BRAZO PARA MONITOR

1. Alinee el brazo de soporte de instalación para monitor (2) con los postes a la altura deseada.
2. Fíjelo a los postes con dos pernos de cabeza Allen M6 x 35 mm o M6 x 50 mm, dos rondanas planas pequeñas y dos tuercas hexagonales utilizando una llave Allen y llave de 10 mm. (Vea Diagrama 17)

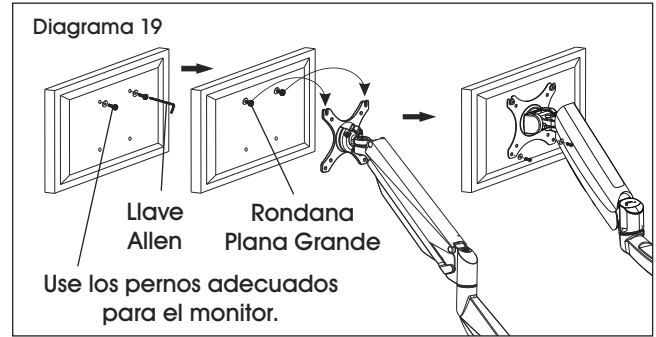


FIJAR EL MONITOR

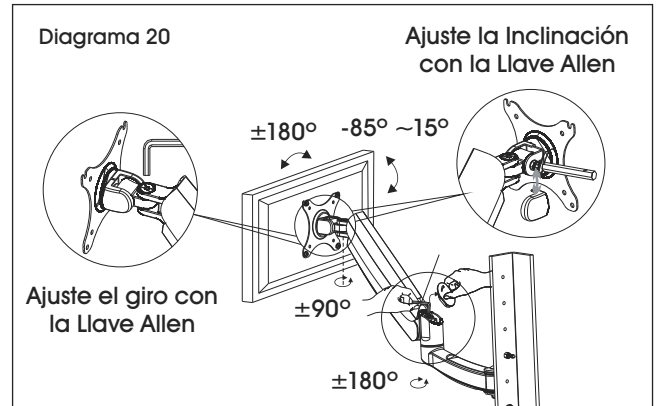
- NOTA:** Asegúrese de que el monitor cuente con un patrón de orificios VESA de 100 x 100 mm o 75 x 75 mm. (Vea Diagrama 18)
- NOTA:** Si el monitor está sujeto a una base fija, retire el monitor de la base.
- ¡PRECAUCIÓN!** Tenga cuidado de no rayar la pantalla durante la instalación.



1. El soporte de ajuste fácil para monitor incluye un sistema integrado de contrapeso para movimiento libre. Quizás necesite ajustar el brazo de soporte para que el monitor se detenga en la posición deseada. Fije el monitor a la placa. (Vea Diagrama 19)

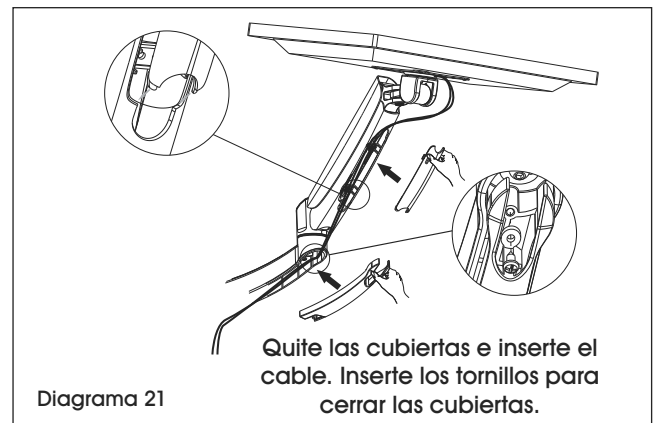


2. Para ajustar el contrapeso, use una llave Allen de 5 x 5 en el tornillo arriba de la junta del medio. Gire hacia "-" si el monitor se levanta. Gire hacia "+" si el monitor se baja. Ajuste hasta que la instalación se detenga en la posición deseada. (Vea Diagrama 20)



MANEJO DE CABLEADO

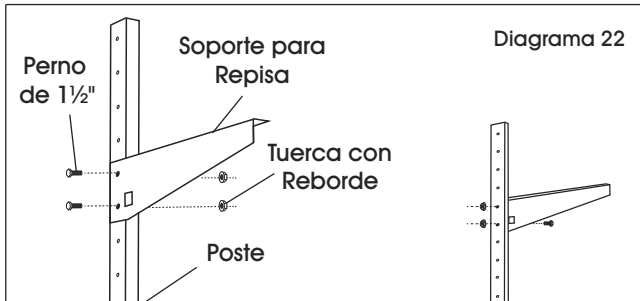
1. Para quitar las cubiertas, use un desarmador de cruz para remover los dos tornillos que sujetan las cubiertas al brazo del monitor. Esto permite al usuario deslizar los cables a través de las cubiertas. Una vez hecho esto, vuelva a asegurar las cubiertas al brazo del monitor con los tornillos de cruz. (Vea Diagrama 21)



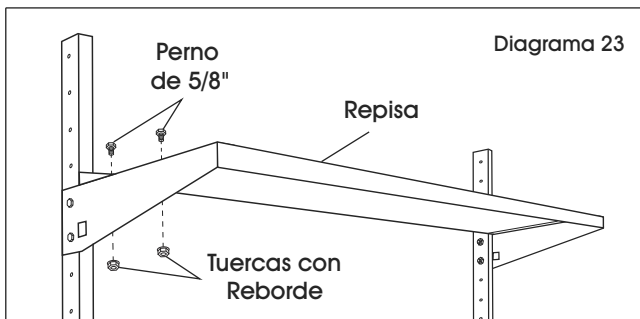
CONTINUACIÓN DE ACCESORIOS OPCIONALES

ENSAMBLE DE REPISA SUPERIOR DE 12" DE PROFUNDIDAD

1. Alinee los soportes para repisa (5) con los postes a la altura deseada.
2. Asegure a los postes con cuatro pernos de 1½" y tuercas con reborde. (Vea Diagrama 22)

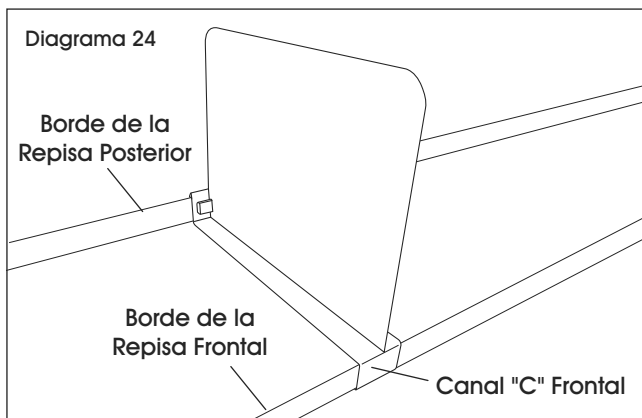


3. Coloque la repisa (6) en los soportes. Instale en los soportes con cuatro pernos de 5/8" y tuercas con reborde. (Vea Diagrama 23)



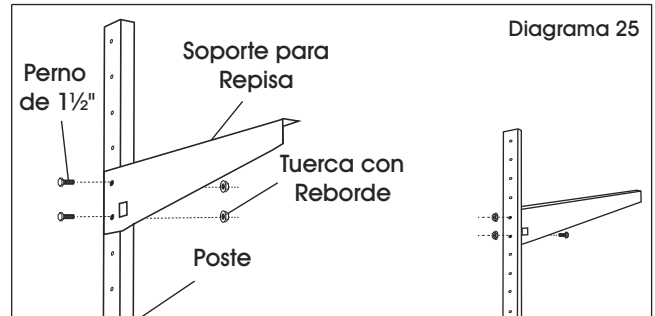
ENSAMBLE DE DIVISOR PARA REPISA SUPERIOR DE 12" DE PROFUNDIDAD

1. Alinee el canal "C" frontal del divisor (7) con el borde frontal de la repisa superior. Inserte el divisor en el borde frontal a un ángulo. Una vez en su lugar, permita que el divisor caiga y se magnetice al borde de la repisa posterior. (Vea Diagrama 24)

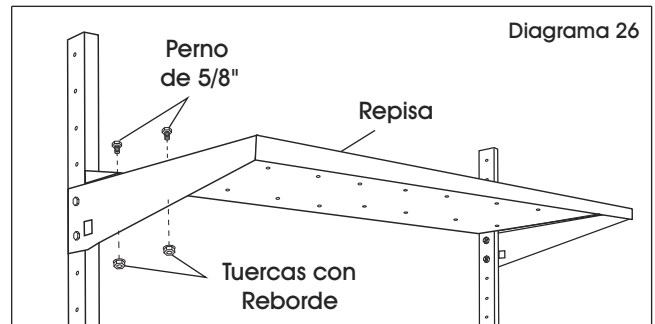


ENSAMBLE DE REPISA PARA CAJAS DE 16" DE PROFUNDIDAD

1. Alinee los soportes para repisa (8) con los postes a la altura deseada.
2. Asegure a los postes con cuatro pernos de 1½" y tuercas con reborde. (Vea Diagrama 25)

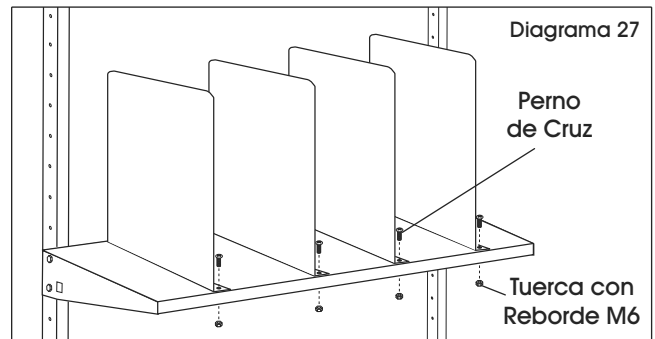


3. Coloque la repisa (9) en los soportes. Instale en los soportes con cuatro pernos de 5/8" y tuercas con reborde. (Vea Diagrama 26)



ENSAMBLE DEL DIVISOR DE REPISA PARA CAJAS DE 16" DE PROFUNDIDAD

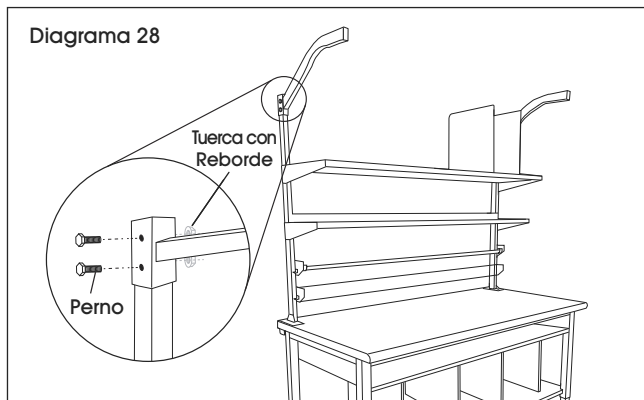
1. En la repisa para cajas se incluyen seis divisores de repisas para cajas (10). Para fijarlos, alinee los orificios preperforados frontales y posteriores encima de la repisa. Fije cada divisor con dos pernos de cruz y dos tuercas con reborde M6 utilizando un desarmador de cruz y una llave de 10 mm. (Vea Diagrama 27)



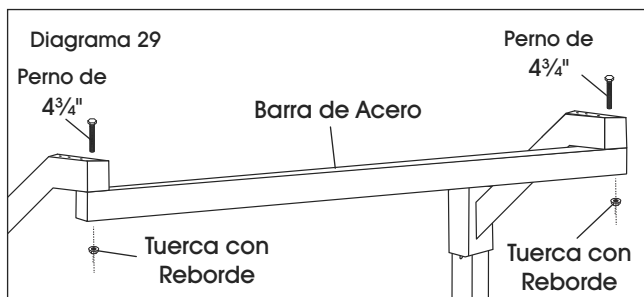
CONTINUACIÓN DE ACCESORIOS OPCIONALES

KIT DEL ENSAMBLE DEL SOPORTE LIGERO

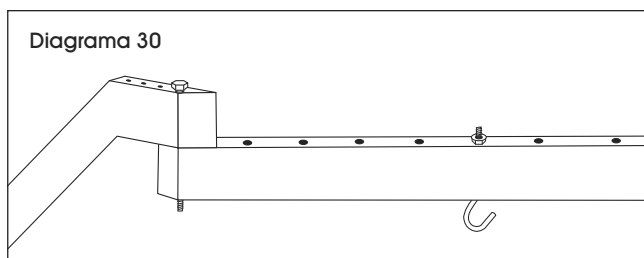
1. Alinee los soportes ligeros (12) con los postes a la altura deseada.
2. Fíjelos a los postes con cuatro pernos de 2" y tuercas con reborde. (Vea Diagrama 28)



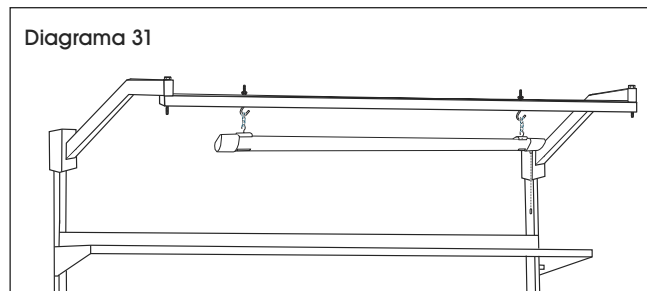
3. Coloque la barra de acero ligero (13) a la profundidad deseada debajo de los soportes. Fíjela a los soportes con dos pernos de 4³/₄" y tuercas de reborde. (Vea Diagrama 29)



4. Coloque dos ganchos en "S" (14) en los puntos deseados de instalación a lo largo de la barra de acero y asegúralos con 2 tuercas con reborde. (Vea Diagrama 30)

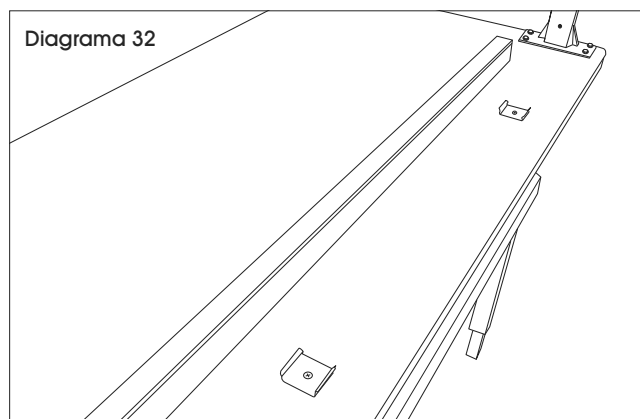


5. Fije las cadenas colgantes a la luz LED para taller (11) e instálelas en los ganchos en "S". (Vea Diagrama 31)

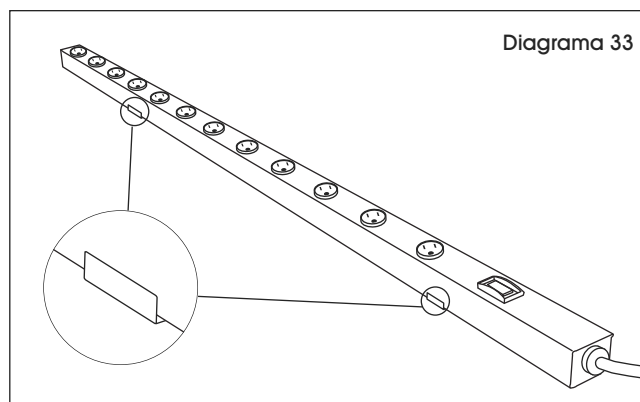


ENSAMBLE DEL MULTICONTACTO DE MOSTRADOR

1. Elija la ubicación deseada para el multicontacto (15). Coloque los dos clips de instalación suministrados con una separación aproximada de 32" (con la cara de la pinza hacia arriba). Con un taladro eléctrico, sujételos a la cubierta con dos tornillos para madera provistos. (Vea Diagrama 32)



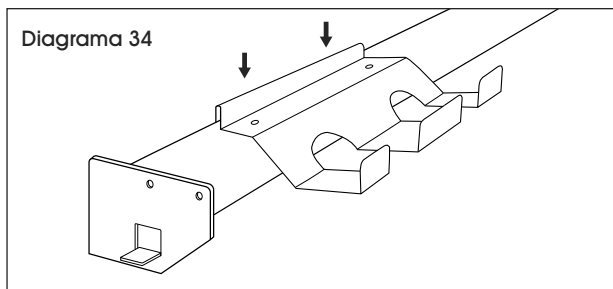
2. Asegure el multicontacto introduciéndolo en los clips de instalación. (Vea Diagrama 33)



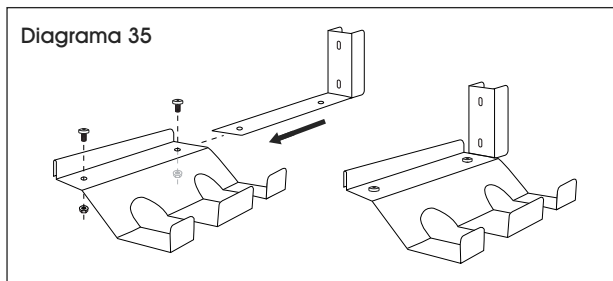
ENSAMBLE DEL SOPORTE PARA DESPACHADOR DE CINTA

 **NOTA:** El Soporte para Despachador de Cinta puede sujetarse a los postes o al riel para gavetas.

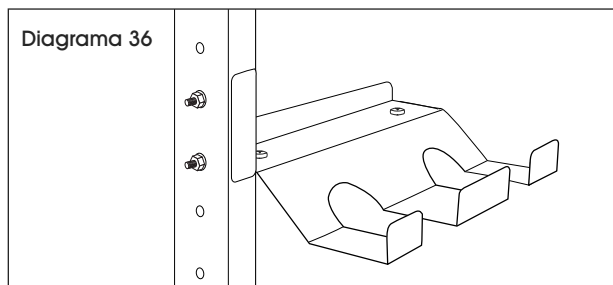
1. Si lo sujeta al riel para gavetas, no se necesita ensamblar. Coloque la parte posterior del borde doblado del soporte en el riel para gavetas. Presione para asegurar que quede fijo en su lugar. (Vea Diagrama 34)



2. Si lo sujeta a los postes, deslice el soporte del poste para el despachador de cinta por debajo del soporte y alinee los orificios en el soporte con los orificios en la parte superior del soporte. Sujételo con dos tornillos de cabeza plana M5 x 10 mm y dos tuercas de reborde M5 usando un desarmador de cruz y una llave de 8mm. (Vea Diagrama 35)



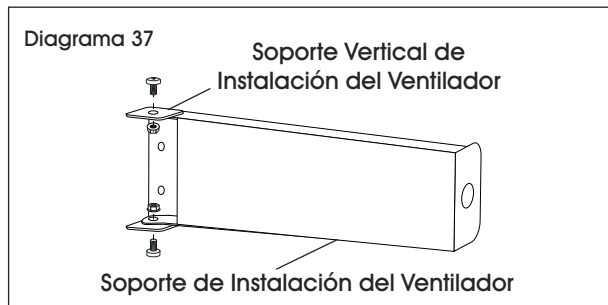
3. Alinee el soporte del despachador de cinta y del poste con los postes a la altura deseada.
4. Asegúrelos a los postes con dos pernos hexagonales M6 x 40 mm y dos tuercas de reborde M6. (Vea Diagrama 36)



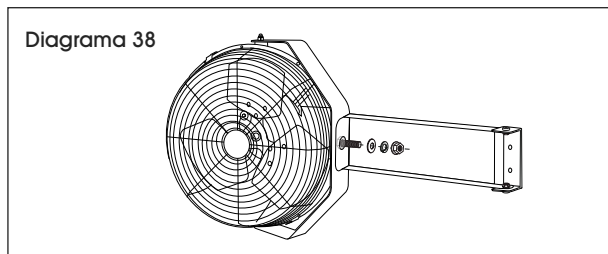
ENSAMBLE DEL VENTILADOR

 **NOTA:** El ventilador viene con soportes de 6" y 10" de largo. Elija el soporte que desee basado en la aplicación.

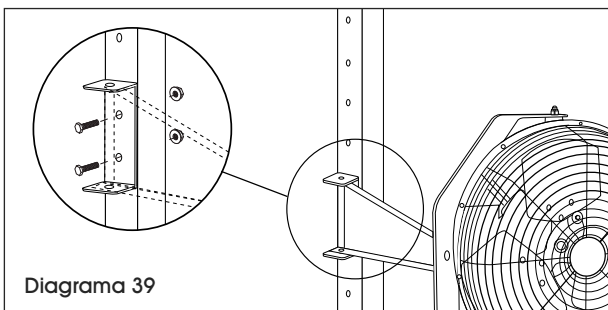
1. Haga ranuras de 6" o 10" en el soporte de instalación del ventilador entre la abertura en el soporte vertical de instalación del ventilador. Alinee los orificios de cada soporte y fíjelos usando dos pernos hexagonales M6 x 12 mm y dos tuercas con reborde M6. (Vea Diagrama 37)



2. Alinee el orificio del extremo opuesto del soporte de instalación del ventilador con el orificio del soporte semicircular para ventilador. Fije utilizando el perno M12 x 20 mm, la rondana M12, la rondana de seguridad M12 y la tuerca hexagonal M12. (Vea Diagrama 38)




3. Alinee el ensamble del ventilador con los soportes verticales a la altura deseada.
4. Asegúrelos a los postes con dos pernos hexagonales M6 x 40 mm y dos tuercas de reborde M6. (Vea Diagrama 39)



CONTINUACIÓN DE ACCESORIOS OPCIONALES

ENSAMBLE DE LA CORTADORA DE PAPEL HORIZONTAL

1. La repisa para cajas es compatible con Cortadoras de Papel Horizontales Uline de 24" o 36" (H-194, H-195, H-1244 y H-1245). Para fijarla, coloque la cortadora de papel debajo de la repisa y alinee con los dos orificios frontales y posteriores preperforados. Asegúrela con cuatro tuercas con reborde y tornillos de cruz incluidos con la repisa para cajas utilizando un desarmador de cruz y una llave de 10 mm. (Vea Diagrama 40)

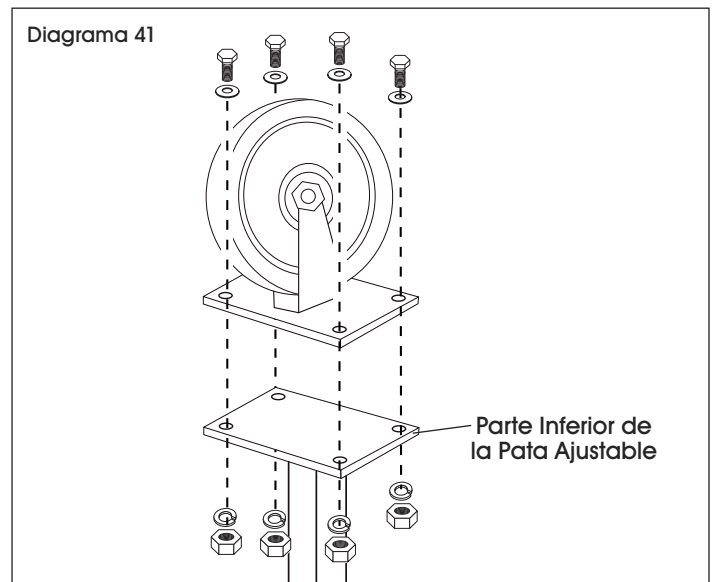
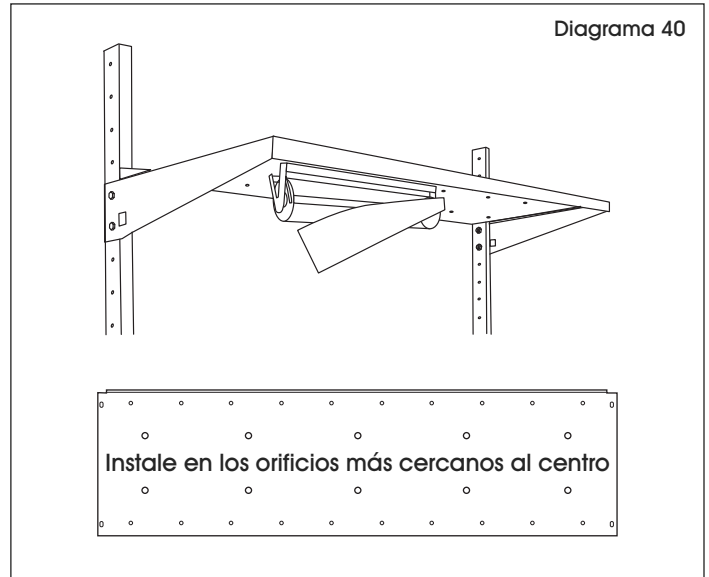
 **NOTA:** Los orificios para la cortadora son los más cercanos al centro de la repisa. Los orificios cerca del borde son para fijar divisores de repisa.

 **NOTA:** Las cortadoras de papel no son compatibles con las Repisas para Estación de Trabajo de Alta Calidad de 12" de profundidad.

 **NOTA:** Se debe instalar solo una cortadora por repisa debido a la capacidad de peso.

ENSAMBLE DE LA RUEDA

1. Alinee las ruedas con las patas. Fíjelas con cuatro penos, rondanas planas y tuercas. Asegure con una llave de 17 mm. (Vea Diagrama 41)



SOLUCIÓN DE PROBLEMAS

PROBLEMA DE FUNCIONAMIENTO	RECOMENDACIONES
Accesorio demasiado corto / no cabe entre los postes.	Asegúrese de que los postes apunten a la dirección correcta. (Vea Ensamble de Postes en Instrucciones)
Los pernos hexagonales M8 varían en tamaños de cabeza.	Podría necesitar llave(s) de boca abierta de 13 mm o 14 mm.
La cubierta es difícil de taladrar debido al espacio libre del paso 2 del Ensamble de la Cubierta en las instrucciones.	Retire los soportes para repisa de almacenamiento y vuelva a fijarlos después de taladrar los orificios.
Las barras de soporte para el armazón no se ajustan a las patas.	Alinee las dos e inserte pernos hexagonales de M8 x 65 a través de las patas y dentro de las barras de soporte del armazón. Empiece a sujetar los pernos hexagonales de M8 x 65 para ayudar a unir las barras de soporte y las patas.
Una burbuja de pintura obstruye los orificios para los pernos.	Inserte el perno hasta donde tope y empiece a roscarlo a través del orificio. El perno atravesará y romperá la burbuja de pintura.

ULINE

800-295-5510

uline.mx

ULINE H-8226

POSTE D'EMBALLAGE – 96 PO

OUTILS REQUIS



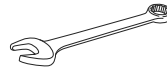
Perceuse électrique



Mèche de 1/4 po



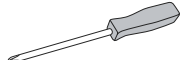
Clé Allen (inclus)



Clé de 8 mm
Clé de 10 mm
Clé de 13 mm
Clé de 17 mm



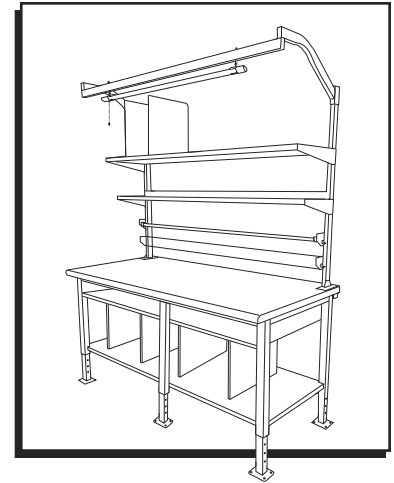
Mèche de perceuse cruciforme



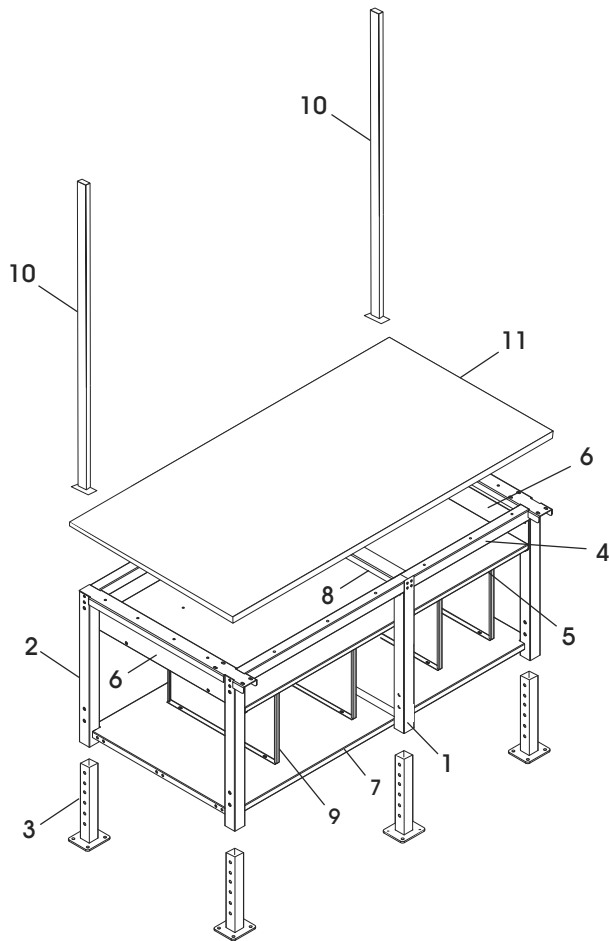
Tournevis cruciforme



Montage à trois personnes requis



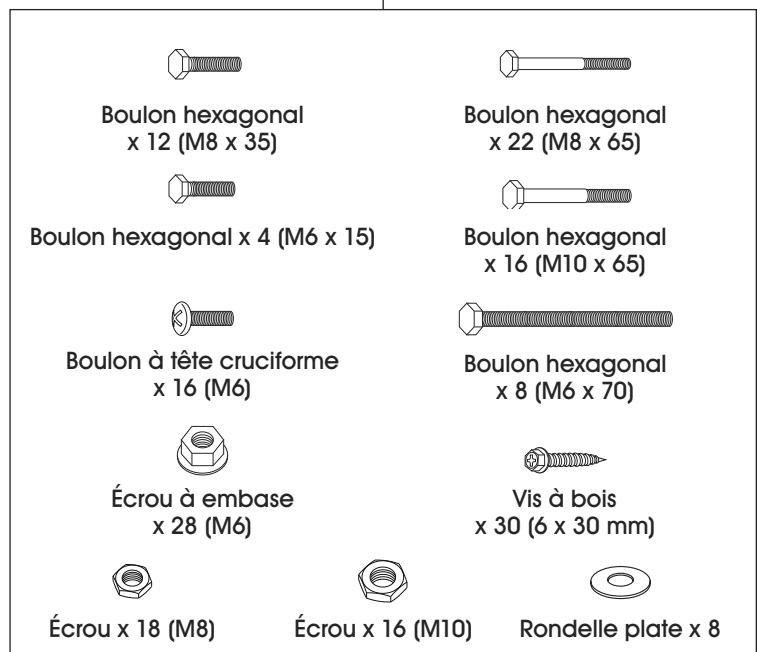
PIÈCES



PIÈCES

#	DESCRIPTION	QTÉ
1	Pied central	1
2	Pied extérieur	2
3	Patte réglable	6
4	Barre de support de cadre	4
5	Tablette de rangement de 4 po de haut – 2 pièces	1
6	Ferrure de support de tablette de rangement	2
7	Tablette inférieure pleine profondeur – 2 pièces	1
8	Barre de support pour pied central	1
9	Séparateur de tablette inférieure	4
10	Montant	2
11	Surface de table	1

Ensemble de matériel



MISE EN GARDE! Certaines pièces peuvent avoir des bords tranchants. Des précautions doivent être prises lors de la manipulation des diverses pièces afin d'éviter les blessures. Pour votre sécurité, portez des gants de travail durant le montage.

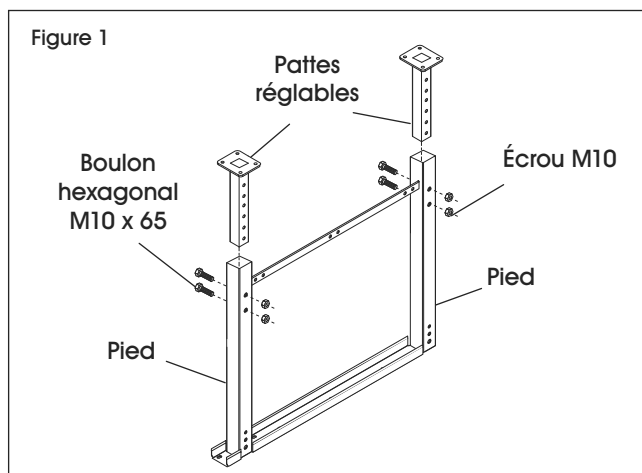


REMARQUE : Les sachets de matériel d'installation sont inclus dans l'emballage de la tablette et du cadre. Il se peut qu'il y ait un excédent de matériel d'installation.

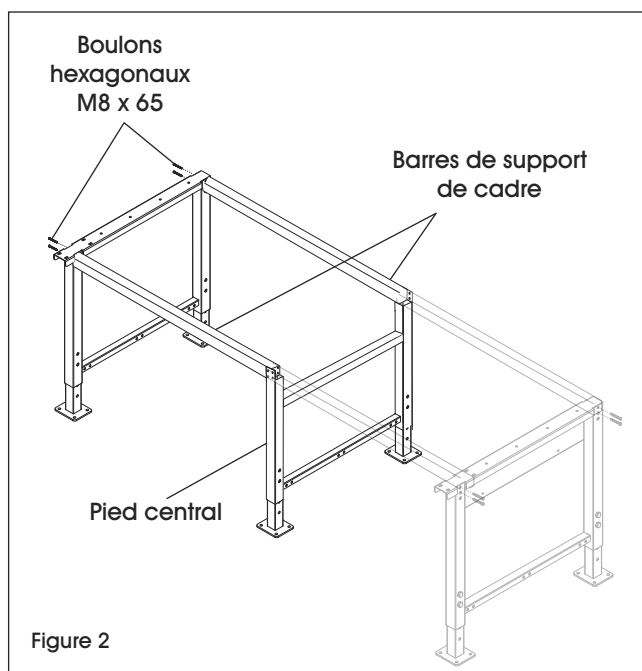
MONTAGE DES PIEDS ET DU CADRE

REMARQUE : Les surfaces de table ajoutent de 1 ½ à 1 ¾ po selon la surface choisie.

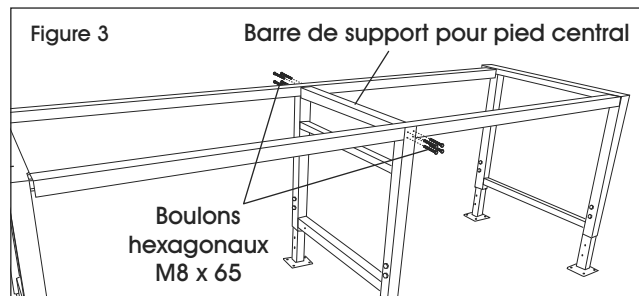
1. Placez les pieds (1 et 2) à l'envers. Insérez les pattes réglables (3) dans les pieds en les glissant à la hauteur voulue. Fixez les pattes réglables aux pieds à l'aide de deux boulons hexagonaux M10 x 65 et deux écrous M10 par patte réglable en vous servant d'une clé de 17 mm. (Voir Figure 1)



2. Mettez les pieds à l'endroit et écartez-les pour y installer les barres de support de cadre (4). Positionnez les barres de support de cadre en orientant les trous qui sont plus larges vers le bas. L'extrémité ouverte des barres doit être positionnée sur le pied central (1). Fixez les barres de support au pied extérieur (2) à l'aide de quatre boulons hexagonaux M8 x 65 par pied en vous servant d'une clé de 13 mm. (Voir Figure 2) Répétez de l'autre côté.



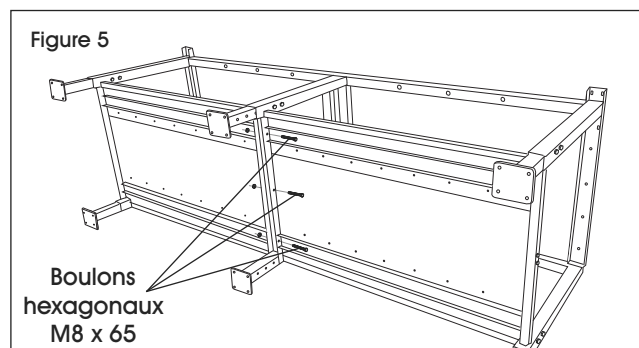
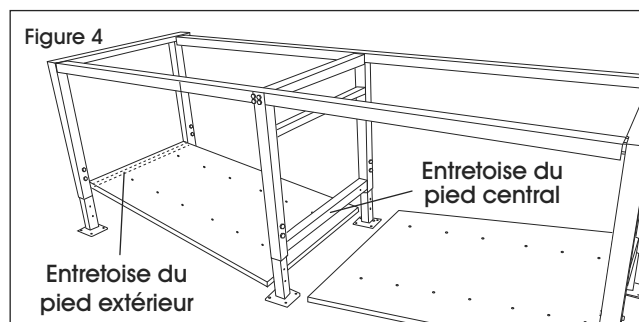
3. Placez la barre de support pour pied central (8) entre les barres de support de cadre (4) sur le dessus du pied central. Fixez la barre de support du pied central aux barres de support de cadre et au pied central (1) à l'aide de huit boulons hexagonaux M8 x 65 et d'une clé de 13 mm. (Voir Figure 3)



MONTAGE DE LA TABLETTE INFÉRIEURE

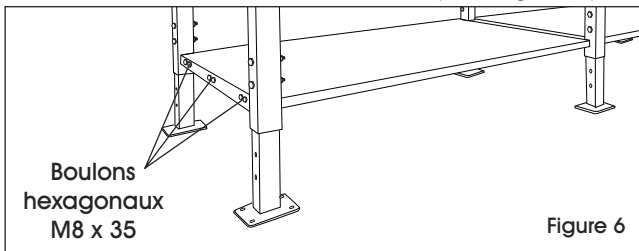
REMARQUE : La tablette inférieure comprend deux pièces. Une extrémité de chaque pièce comprend une rainure pour placer la tablette sur le dessus de l'entretoise de pied des pieds extérieurs. L'autre extrémité est plate et se boulonne à l'entretoise du pied central.

1. Placez l'extrémité de chaque pièce de la tablette avec la rainure en travers de l'entretoise de pied des pieds extérieurs. Demandez à deux personnes de tenir l'extrémité des pièces de la tablette qui font face au pied central (1) et d'aligner les trous sur le côté des pièces de la tablette sur les trous de l'entretoise du pied central. Fixez les pièces de la tablette à l'entretoise du pied central à l'aide de trois boulons hexagonaux M8 x 65 et trois écrous M8 en vous servant d'une clé de 13 mm. (Voir Figures 4 et 5)



MONTAGE SUITE

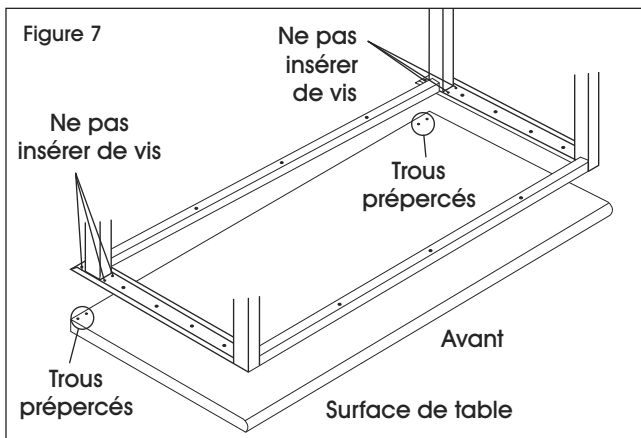
- Fixez chaque extrémité des pièces de la tablette à l'entretoise des pieds extérieurs à l'aide de six boulons hexagonaux M8 x 35 et six écrous M8 par tablette en vous servant d'une clé de 13 mm. (Voir Figure 6)



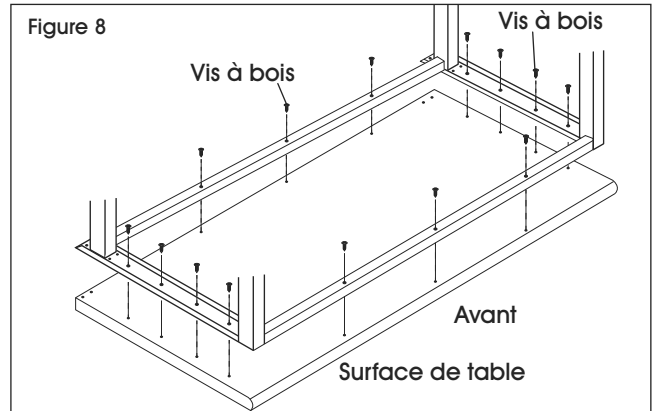
REMARQUE : Si vous installez des roulettes, suivez les instructions à la page 32.

MONTAGE DE LA TABLE

- Pour fixer la surface de table (10) à l'ensemble du cadre, placez la surface de table sur une surface lisse et non marquante, face vers le bas.
- Retournez l'ensemble du cadre à l'envers et alignez les deux trous prépercés sur les coins arrière de la surface de table. N'insérez pas de vis dans ces deux trous ni dans les deux trous à l'avant de ceux-ci pour le moment. (Voir Figure 7)



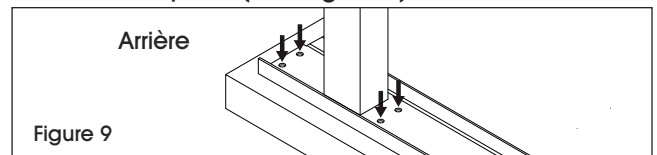
- En utilisant tous les autres emplacements de trous du cadre comme référence, percez des avant-trous de 3/4 po de profondeur sur la surface à l'aide d'une mèche de 3/16 po. À l'aide de 14 (16 pour une table de 72 po) vis à bois et d'une perceuse à mèche cruciforme, fixez le cadre sur le dessous de la surface dans ces nouveaux avant-trous. (Voir Figure 8)



REMARQUE : Les trous prépercés additionnels situés sur la surface de table sont utilisés pour un autre produit et ne s'alignent pas sur les trous de ce cadre-ci. Vous devez prépercer vos propres avant-trous.

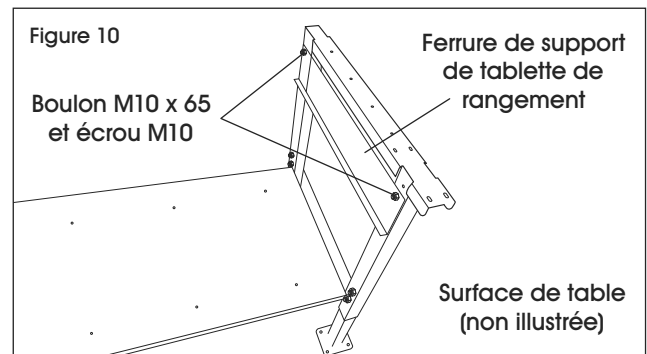
REMARQUE : Les vis à bois pour le devant et l'arrière du cadre sont optionnelles et servent de renforcement.

- Avec une mèche de perceuse de 1/4 po, percez quatre trous à travers la surface au complet en utilisant les emplacements des trous illustrés sur la Figure 6. Ils doivent s'aligner sur les trous situés sur l'arrière du pied. (Voir Figure 9)



REMARQUE : Ils seront utilisés pour fixer les montants plus tard.

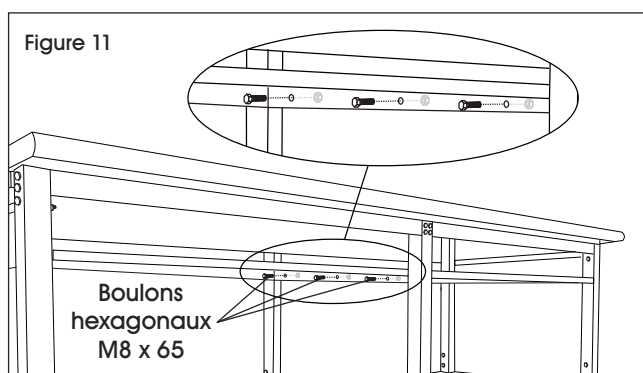
- Placez avec soin la table à l'endroit et vérifiez que toutes les vis sont bien serrées.
- Placez deux ferrures de support de tablette de rangement (5) sur la partie intérieure des pieds en orientant le côté à rebord vers le bas et vers la partie intérieure du cadre. Fixez chaque ferrure de support aux pieds à l'aide de deux boulons hexagonaux M10 x 65 et deux écrous M10 en vous servant de la clé de 17 mm. (Voir Figure 10)



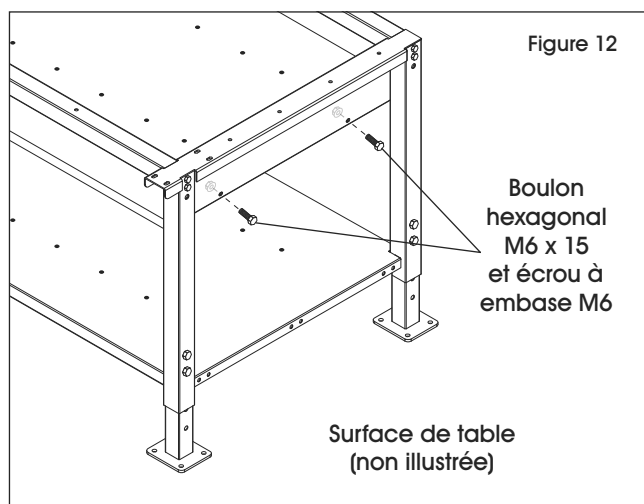


REMARQUE : La tablette de rangement de 4 po de haut comporte deux pièces. Une extrémité de chaque pièce repose sur la ferrure de support de la tablette de rangement. L'autre extrémité se boulonne à l'entretoise au milieu du pied central.

- Faites glisser l'extrémité de chaque pièce de la tablette sur la ferrure de support de la tablette de rangement. Demandez à deux personnes de tenir l'extrémité des pièces de la tablette qui font face au pied central et d'aligner les trous sur le côté des pièces de la tablette sur les trous de l'entretoise au milieu du pied central. Fixez les pièces de la tablette à l'entretoise au milieu du pied central à l'aide de trois boulons hexagonaux M8 x 65 et trois écrous M8 en vous servant d'une clé de 13 mm. (Voir Figure 11)



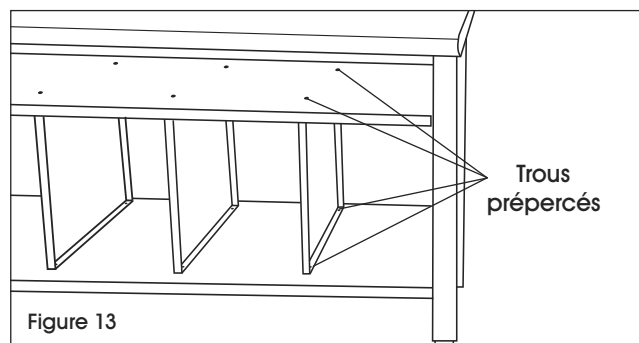
- Alignez les deux trous situés à l'extrémité de chaque pièce de la tablette sur les deux trous des ferrures de support (6). Fixez chaque pièce de la tablette aux ferrures de support à l'aide de deux boulons hexagonaux M6 x 15 et deux écrous à embase M6 en vous servant d'une clé de 10 mm. (Voir Figure 12)



- Vérifiez de nouveau et serrez tous les boulons.

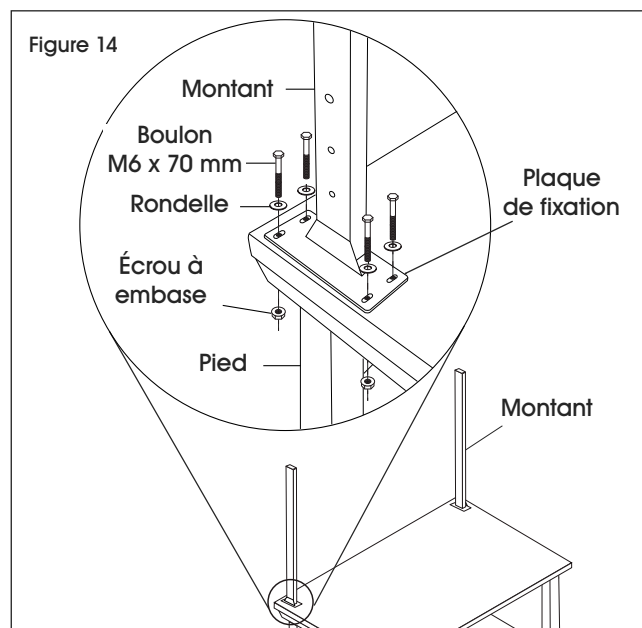
MONTAGE DES SÉPARATEURS DE TABLETTE INFÉRIEURE

- Quatre séparateurs de tablette inférieure sont inclus avec le poste d'emballage. Pour le montage, faites glisser les séparateurs entre la tablette inférieure pleine profondeur et la tablette de rangement de 4 po de haut et alignez-les sur les deux trous prépercés de chacune d'elles. Fixez chaque séparateur à l'aide de quatre boulons à tête cruciforme M6 et quatre écrous à embase M6 en vous servant d'un tournevis cruciforme et d'une clé de 10 mm. (Voir Figure 13)



MONTAGE DU MONTANT

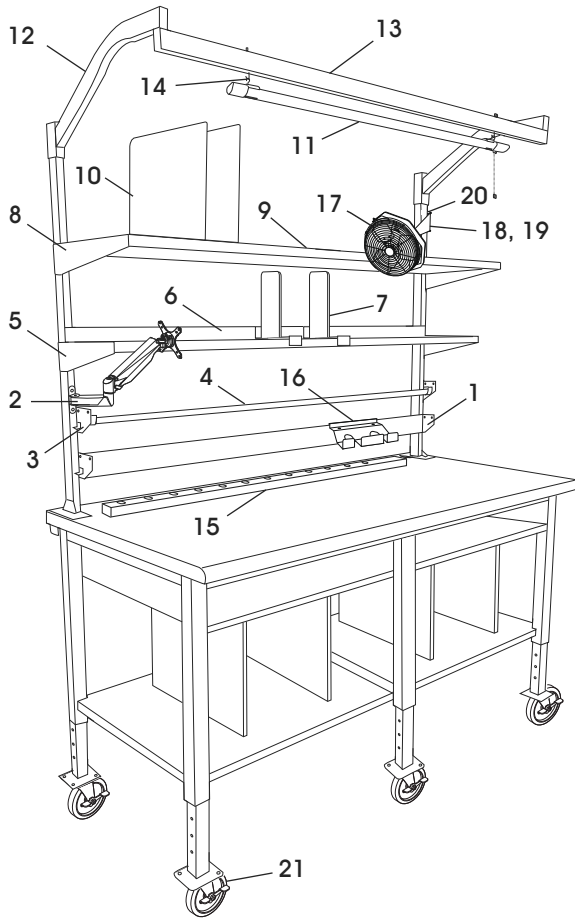
- Placez le montant sur le coin arrière de la surface de table. La plaque de fixation doit être placée directement au-dessus des trous percés auparavant. Insérez quatre boulons hexagonaux M6 x 70 et rondelles plates à travers les montants, la surface de table et les pieds et serrez avec une clé de 10 mm. Fixez le tout par le dessous de la table à l'aide de quatre écrous à embase M6. (Voir Figure 14)
- Répétez l'opération pour le deuxième montant.



ACCESSOIRES OPTIONNELS



REMARQUE : Les articles suivants sont des accessoires optionnels.
Le matériel d'installation est compris avec chaque accessoire.



#	DESCRIPTION	QTÉ
1	Rail pour bacs	1
2	Bras de moniteur**	1
3	Support de porte-rouleau	2
4	Porte-rouleau	1
5	Console de tablette supérieure de 12 po de profondeur	2
6	Tablette supérieure de 12 po de profondeur	1
7	Séparateur de tablette supérieure de 12 po de profondeur	*
8	Console de tablette à boîte de 16 po de profondeur	2
9	Tablette à boîte de 16 po de profondeur	1
10	Séparateur de tablette à boîte de 16 po de profondeur	6
11	Éclairage d'atelier à DEL	1
12	Support d'éclairage	2
13	Poutre d'éclairage en acier	1
14	Crochets en " S "	2
15	Barre multiprise de table	1
16	Porte-dévidoir de ruban adhésif	1
17	Ventilateur	1
18	Support de fixation de 6 po pour ventilateur	1
19	Support de fixation de 10 po pour ventilateur	1
20	Support de fixation pour ventilateur au montant	1
21	Roulette	6
	Support de fixation pour dévidoir de ruban adhésif au montant (non illustré)	1
	Coupe-papier horizontal (non illustré)	1

*La quantité varie en fonction des accessoires choisis.

**Utilisez les boulons appropriés pour le moniteur.

MONTAGE DU RAIL À BACS

1. Alignez le rail à bacs (1) sur les montants à la hauteur voulue.
2. Fixez-les aux montants à l'aide de quatre boulons de 1 ½ po et d'écrous à embase. (Voir Figure 15)

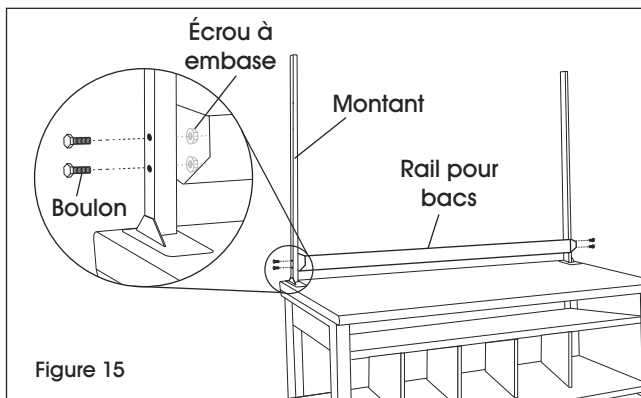


Figure 15

MONTAGE DU PORTE-ROULEAU

1. Alignez les supports de porte-rouleau (3) sur les montants à la hauteur voulue.
2. Fixez aux montants à l'aide de quatre boulons hexagonaux M6 x 40 mm et écrous à embase. (Voir Figure 164)

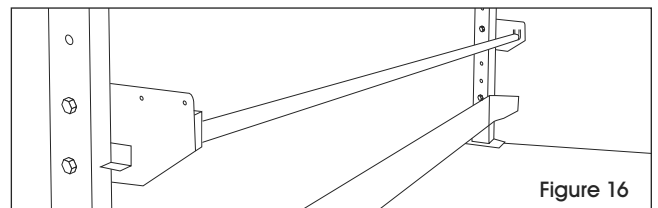


Figure 16

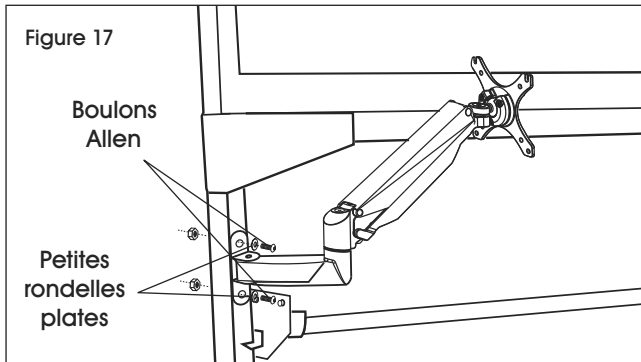
3. Placez le porte-rouleau (4) dans les rainures de supports.






REMARQUE : Six bouchons de mandrin sont inclus. Ils sont à insérer dans le rouleau d'étiquettes ou de papier pour en réduire le diamètre et mieux l'ajuster au porte-rouleau.

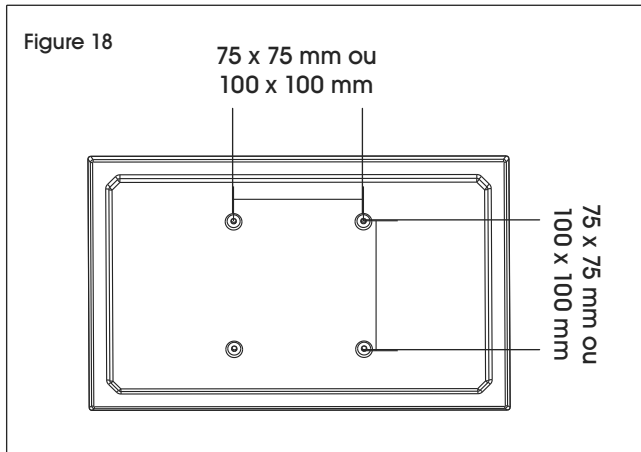
MONTAGE DU BRAS DE MONITEUR

1. Alignez le support de fixation du bras de moniteur (2) sur les montants à la hauteur voulue.
2. Fixez-le aux montants à l'aide de deux boulons Allen M6 x 35 mm ou M6 x 50 mm, deux petites rondelles plates et deux écrous hexagonaux en vous servant de la clé Allen et d'une clé de 10 mm. (Voir Figure 17)

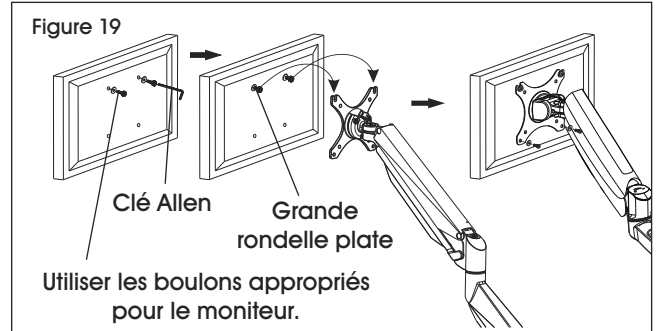


INSTALLATION DU MONITEUR

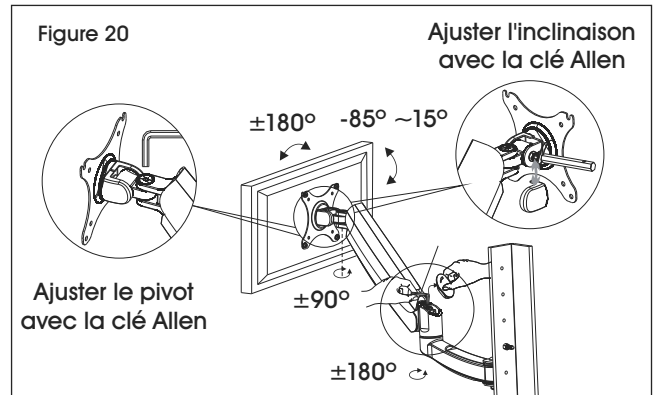
-  **REMARQUE :** Assurez-vous que le moniteur possède une configuration de trous VESA de 100 x 100 mm ou de 75 x 75 mm. (Voir Figure 18)
-  **REMARQUE :** Retirez le moniteur de la base s'il est installé à une base fixe.
-  **MISE EN GARDE!** Faites attention de ne pas égratigner l'écran lors de l'installation.



1. Le support de moniteur d'ajustement facile comprend un système de contrepoids intégré pour un large champ de mobilité. Il se peut qu'il soit nécessaire d'ajuster le bras du support pour bloquer le moniteur dans la position voulue. Fixez le moniteur à la plaque. (Voir Figure 19)

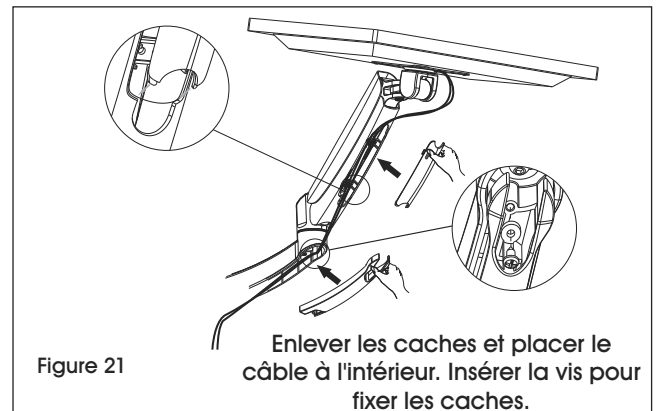


2. Utilisez la clé Allen de 5 x 5 pour la vis située au-dessus de l'articulation centrale servant à ajuster le contrepoids. Tournez vers " - " si le moniteur se soulève. Tournez vers " + " si le moniteur s'abaisse. Continuez jusqu'à ce que le support soit à la position voulue. (Voir Figure 20)



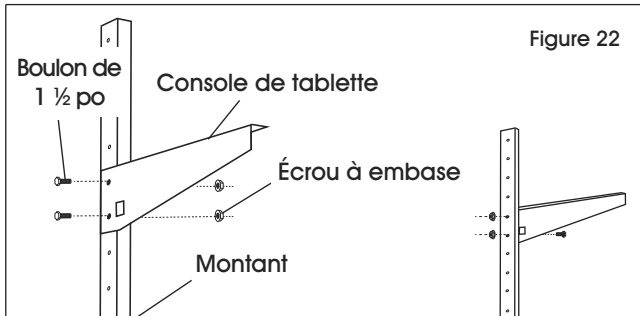
GESTION DES CÂBLES

1. Si vous souhaitez retirer les caches, utilisez un tournevis cruciforme pour extraire les deux vis maintenant les caches au bras de moniteur. Ceci permet à l'utilisateur de faire glisser les câbles à travers les caches. Une fois cette opération effectuée, fixez à nouveau les caches au bras de moniteur à l'aide de vis cruciformes. (Voir Figure 21)

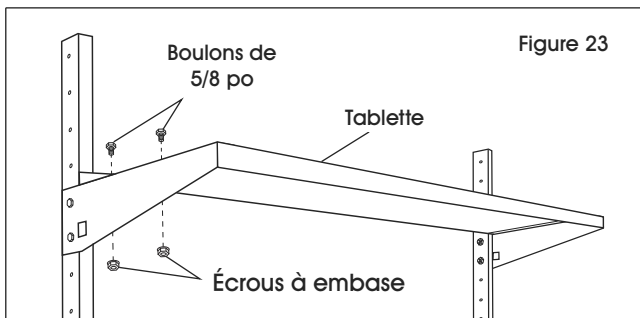


MONTAGE DE LA TABLETTE SUPÉRIEURE DE 12 PO DE PROFONDEUR

1. Alignez les consoles de tablette (5) sur les montants à la hauteur voulue.
2. Fixez-les aux montants à l'aide de quatre boulons de 1 ½ po et d'écrous à embase. (Voir Figure 22)

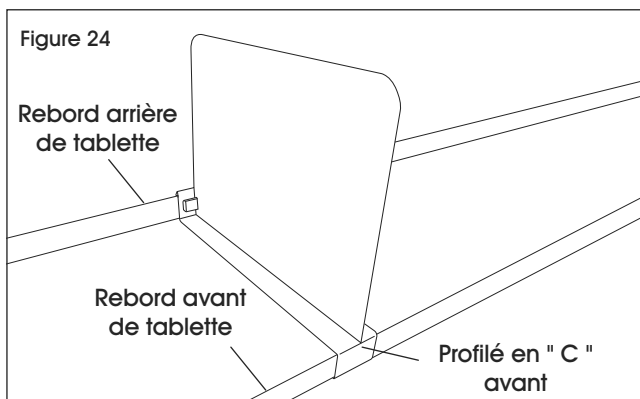


3. Placez la tablette (6) sur les consoles. Fixez-la aux consoles à l'aide de quatre boulons de 5/8 po et écrous à embase. (Voir Figure 23)



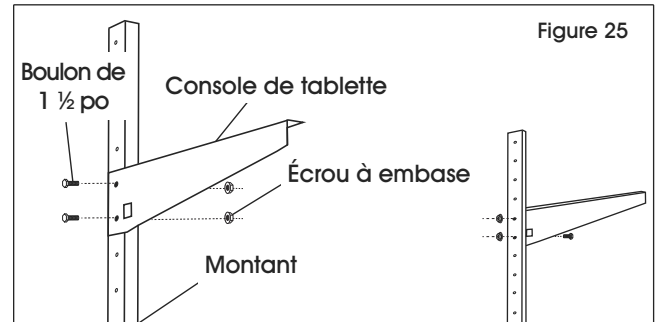
MONTAGE DU SÉPARATEUR DE TABLETTE SUPÉRIEURE DE 12 PO DE PROFONDEUR

1. Alignez le profilé en "C" avant du séparateur (7) sur le rebord avant de la tablette supérieure. Insérez de biais le séparateur dans le rebord avant. Une fois en place, laissez le séparateur se poser et se magnétiser au rebord de la tablette arrière. (Voir Figure 24)

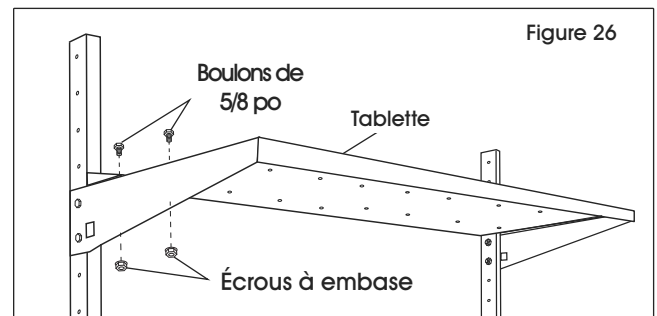


MONTAGE DE LA TABLETTE SUPÉRIEURE À BOÎTE DE 16 PO DE PROFONDEUR

1. Alignez les consoles de tablette (8) sur les montants à la hauteur voulue.
2. Fixez-les aux montants à l'aide de quatre boulons de 1 ½ po et d'écrous à embase. (Voir Figure 25)

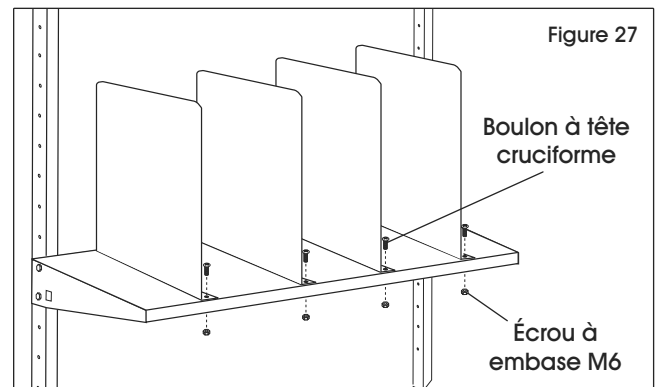


3. Placez la tablette (9) sur les consoles. Fixez-la aux consoles à l'aide de quatre boulons de 5/8 po et d'écrous à embase. (Voir Figure 26)



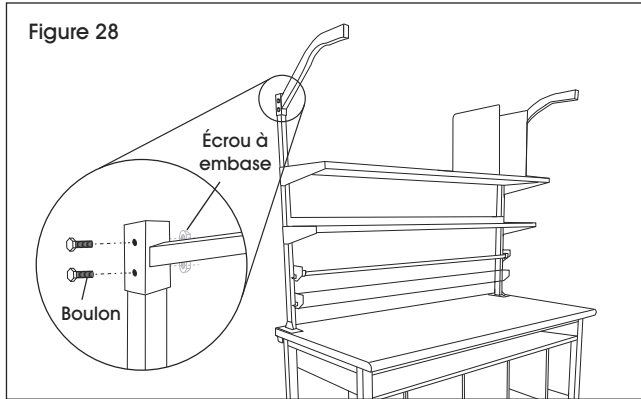
MONTAGE DU SÉPARATEUR DE TABLETTE À BOÎTE DE 16 PO DE PROFONDEUR

1. Six séparateurs (10) sont inclus avec la tablette à boîte. Alignez les trous prépercés avant et arrière sur le dessus de la tablette. Fixez chaque séparateur à l'aide de deux boulons à tête cruciforme et deux écrous à embase M6 en vous servant d'un tournevis cruciforme et d'une clé de 10 mm. (Voir Figure 27)

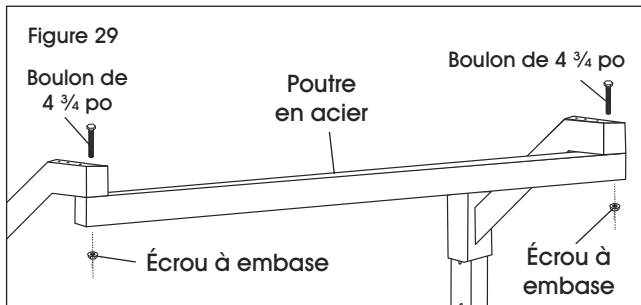


MONTAGE DE L'ÉCLAIRAGE

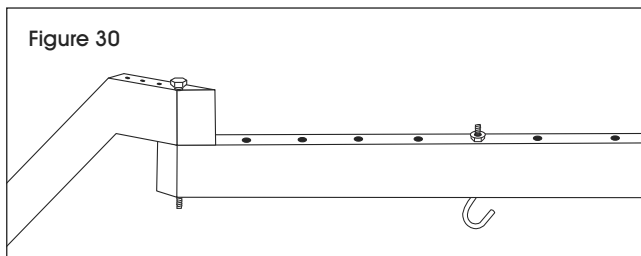
1. Alignez les supports d'éclairage (12) sur les montants à la hauteur voulue.
2. Fixez-les aux montants à l'aide de quatre boulons de 2 po et écrous à embase. (Voir Figure 28)



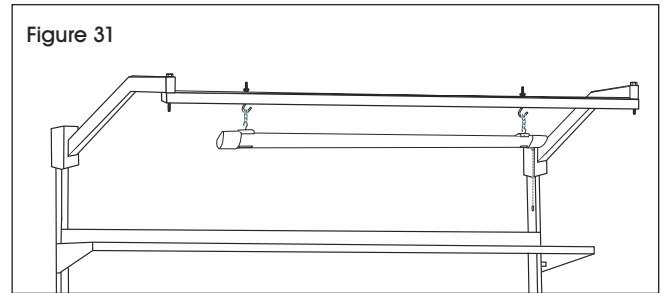
3. Placez la poutre d'éclairage en acier (13) à la profondeur désirée sous les supports. Fixez-la aux supports à l'aide de deux boulons de 4 3/4 po et écrous à embase. (Voir Figure 29)



4. Placez deux crochets en " S " (14) aux points de fixation désirés le long de la poutre en acier et fixez-les avec deux écrous à embase. (Voir Figure 30)

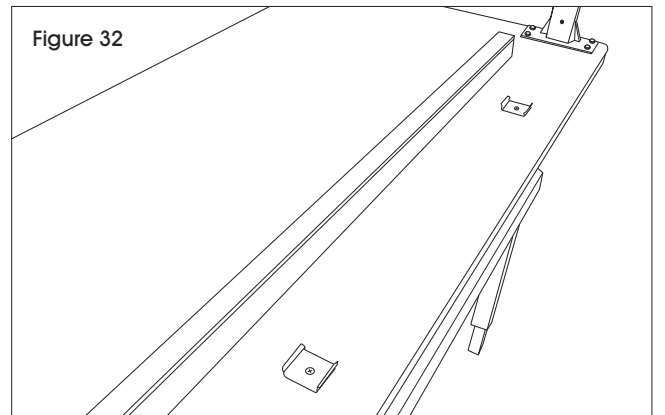


5. Accrochez les chaînes de suspension à l'éclairage d'atelier à DEL (11), puis fixez-les sur les crochets en " S ". (Voir Figure 31)

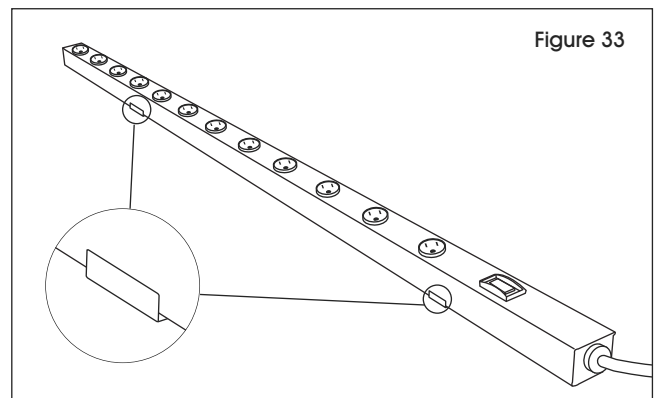


MONTAGE DE LA BARRE MULTIPRISE DE TABLE

1. Choisissez l'emplacement voulu pour la barre multiprise (15). Placez les deux pinces de fixation fournies à 32 po de distance environ (pince orientée vers le haut). Fixez-les à la surface de table à l'aide des deux vis à bois fournies en vous servant d'une perceuse électrique. (Voir Figure 32)



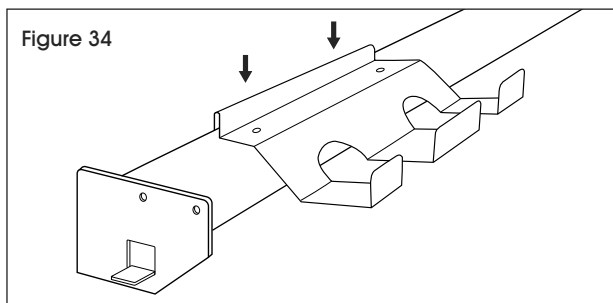
2. Fixez la barre multiprise en l'enclenchant dans les pinces. (Voir Figure 33)



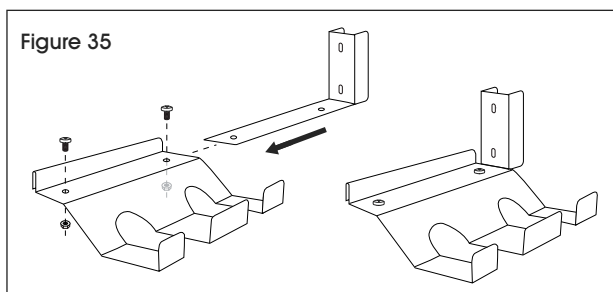
MONTAGE DU PORTE-DÉVIDOIR DE RUBAN ADHÉSIF

REMARQUE : Le porte-dévidoir de ruban adhésif peut être fixé aux montants ou au rail à bacs.

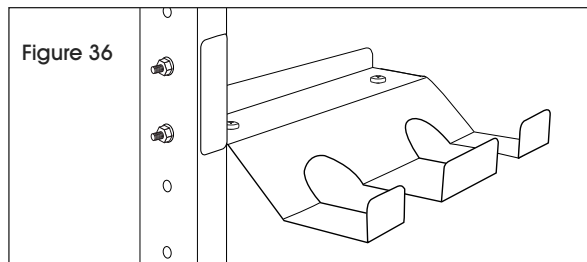
1. Si vous le fixez au rail à bacs, aucun montage n'est requis. Placez le rebord arrière replié du support sur le rail à bacs. Appuyez pour vous assurer que le support tient fermement en place. (Voir Figure 34)



2. Si vous le fixez aux montants, faites glisser le support vertical pour dévidoir de ruban adhésif sous le porte-dévidoir et faites correspondre les trous du support aux trous situés sur le dessus du porte-dévidoir. Fixez les deux pièces ensemble à l'aide de deux vis à tête cylindrique bombée M5 x 10 mm et de deux écrous à embase M5 en vous servant d'un tournevis cruciforme et d'une clé de 8 mm. (Voir Figure 35)



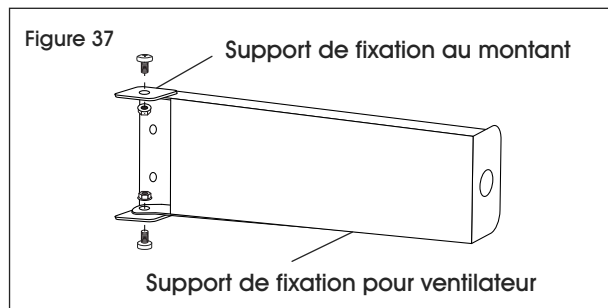
3. Alignez le porte-dévidoir et le support vertical avec les montants à la hauteur désirée.
4. Fixez aux montants à l'aide de deux boulons hexagonaux M6 x 40 mm et de deux écrous à embase M6. (Voir Figure 36)



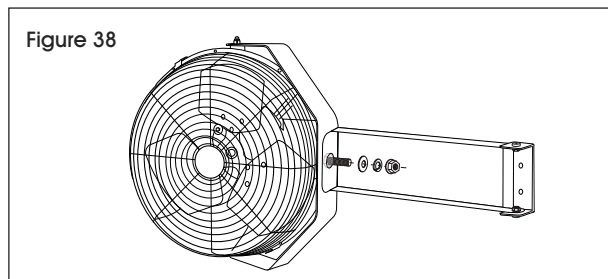
MONTAGE DU VENTILATEUR

REMARQUE : Le ventilateur est livré avec un support de fixation d'une longueur de 6 po et un autre de 10 po. Choisissez le support approprié en fonction de l'utilisation.

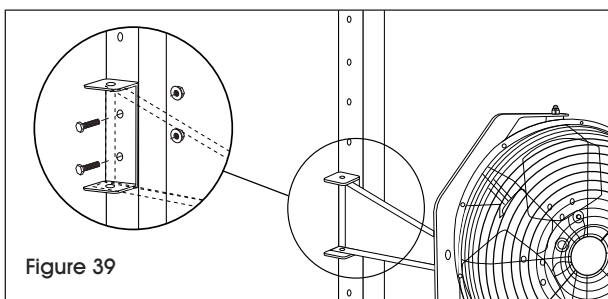
1. Emboîtez le support de fixation de 6 po ou de 10 po dans l'ouverture du support de fixation pour ventilateur au montant. Alignez les trous des supports et fixez-les à l'aide de deux boulons hexagonaux M6 x 12 mm et de deux écrous à embase M6. (Voir Figure 37)



2. Alignez le trou à l'extrémité opposée du support de fixation pour ventilateur sur le trou du support de cadre du ventilateur. Fixez à l'aide du boulon hexagonal M12 x 20 mm, de la rondelle M12, de la rondelle de blocage M12 et de l'écrou hexagonal M12. (Voir Figure 38)




3. Alignez l'ensemble du ventilateur sur les montants à la hauteur désirée.
4. Sécurisez aux montants à l'aide de deux boulons hexagonaux M6 x 40 mm et de deux écrous à embase M6. (Voir Figure 39)



MONTAGE DU COUPE-PAPIER HORIZONTAL

1. La tablette pour boîtes a été conçue pour permettre la fixation de coupe-papiers horizontaux Uline de 24 po ou 36 po (H-194, H-195, H-1244 et H-1245). Placez le coupe-papier sous la tablette et alignez-le sur deux trous prépercés à l'avant et à l'arrière de la tablette pour le fixer. Fixez-le à l'aide de quatre écrous à embase et de quatre boulons à tête cruciforme fournis avec la tablette pour boîtes au moyen d'un tournevis cruciforme et d'une clé de 10 mm. (Voir Figure 40)

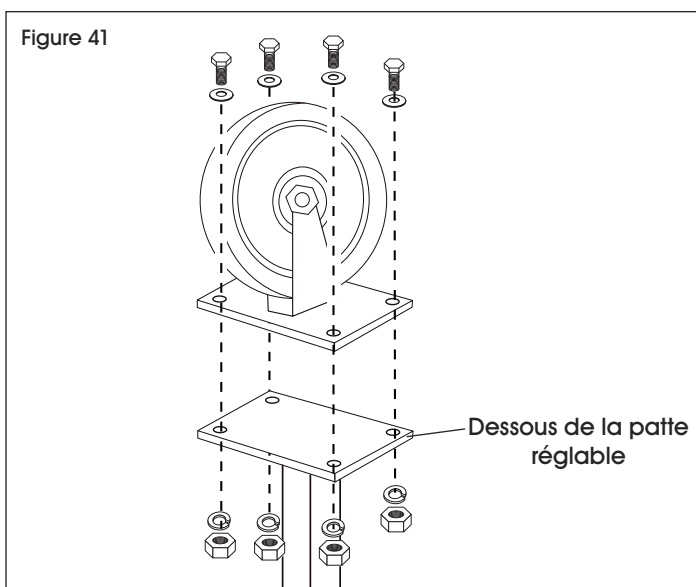
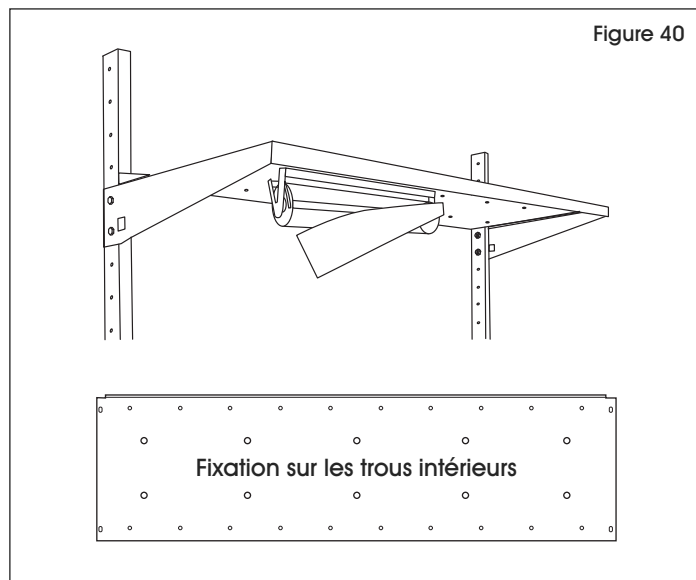
 **REMARQUE :** Les trous de fixation du coupe-papier sont les trous situés le plus au centre de la tablette. Les trous extérieurs sont utilisés pour fixer les séparateurs de tablette.

 **REMARQUE :** Les coupe-papiers ne sont pas compatibles avec les tablettes pour poste de travail de luxe d'une profondeur de 12 po.

 **REMARQUE :** N'installez pas plus d'un coupe-papier par tablette en raison de la capacité de poids limitée.

ENSEMBLE DES ROULETTES

1. Alignez les roulettes avec les pattes. À l'aide d'une clé de 17 mm, fixez les roulettes avec quatre boulons, rondelles plates, rondelles de blocage et écrous. (Voir Figure 41)



DÉPANNAGE

PROBLÈME	RECOMMANDATIONS
Accessoire trop court ne tenant pas entre les montants.	Assurez-vous que les montants sont orientés dans la bonne direction. (Voir la section Montage du montant dans les directives)
Les boulons hexagonaux M8 ont des têtes de tailles différentes.	Une ou plusieurs clés à fourche de 13 mm ou 14 mm peuvent être nécessaires.
Il est difficile de percer la surface de table en raison de l'espace libre prévu à l'étape 2 du Montage de la surface dans les directives.	Retirez les ferrures de support de la tablette de rangement et remettez-les en place après avoir percé les trous.
Les barres de support du cadre ne s'emboîtent pas dans les pieds.	Alignez les deux et insérez les boulons hexagonaux M8 x 65 à travers les pieds et dans les barres de support du cadre. Commencez à fixer les boulons hexagonaux M8 x 65 pour joindre les barres de support et les pieds ensemble.
Bulle de peinture bloquant les trous pour les boulons.	Insérez le boulon jusqu'à la butée et commencez à l'enfiler dans le trou. Le boulon s'insèrera petit à petit et brisera la bulle de peinture.

ULINE

1-800-295-5510
uline.ca